

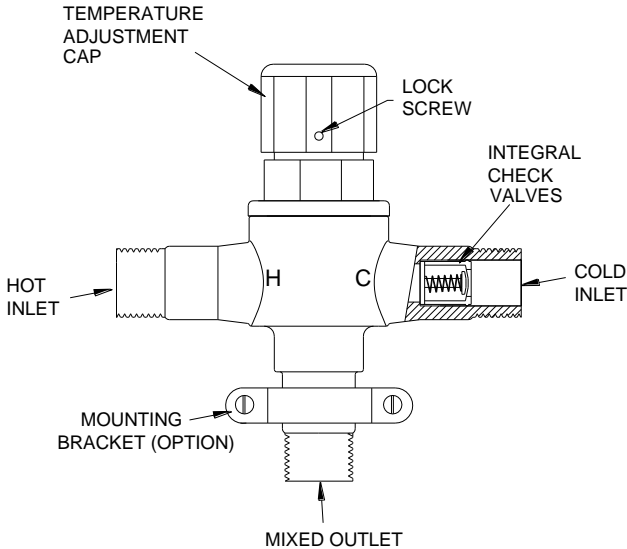
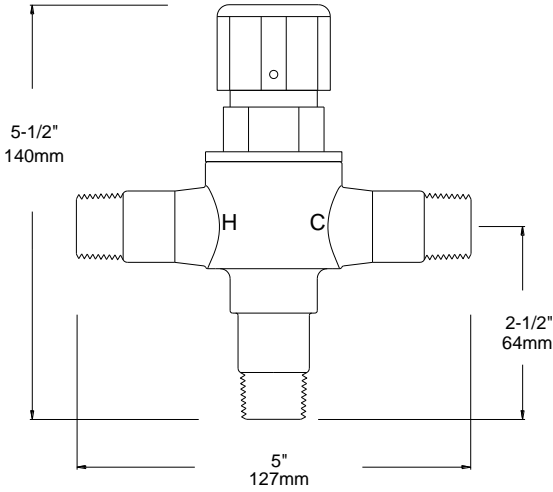
THERMOSTATIC MIXING VALVE

ECO-MIX™

MODEL 270-LF

LEAD FREE THERMOSTATIC POINT OF USE MIXING VALVE

MODEL 1/2" inlets, 1/2" outlet, (MIPS connections)



MATERIALS:

- Lead Free Bronze body
- Locked temperature adjustment cap (vandal resistant)
- Copper encapsulated thermostat assembly with polymer thermoplastic shuttle
- Stainless steel springs
- Integral check valves on hot and cold inlets

PRESSURE-TEMPERATURE:

- Minimum Flow: 0.25 GPM (0.95 l/Min)*
- Maximum Pressure: 125 PSI (8.6 BAR)
- Maximum Hot Water temperature: 200°F- (93°C)
- Approach Temperature 5°F (2.8°C) above set point.
- Temperature adjustment range, 90-140°F (32-60°C) **

OPTIONS:

- SUFFIX BRKT – Mounting Bracket (Shipped Loose)
- SUFFIX BV – Ball Valves (Shipped Loose)
- SUFFIX SW – Sweat Connections (Shipped Loose)
- SUFFIX CP – Chrome Plated
- SUFFIX DT – Dial Thermometer and Tee (Shipped Loose)
- SUFFIX PEX – F1807 Pex Adapters (Shipped Loose)
- SUFFIX CPVC – CPVS Socket Weld Adapters (Shipped Loose)
- SUFFIX PF – Push Fit Adapters (Shipped Loose)

Certifications:

ASSE 1017, 1070-2015



CSA B125.70-15



CUPC



Certified to NSF61 thru the ASSE 1070 testing process

This product is certified to meet Low Lead requirements of wetted surface area containing less than 0.25% lead by weight

****NOTE:** For temperatures outside of this valve's stated range, please see our line of bi-metal valves.



WARNING: This product can expose you to chemicals including lead, which is known to the State of California to cause cancer. For more information, go to www.P65Warnings.Ca.gov

* 0.25 GPM minimum flow certified to ASSE 1070

PRESSURE DROP						
5	10	20	30	40	50	PSI
.35	.70	1.4	2.1	2.8	3.4	BAR
3.5	5.5	7.5	9.5	10.5	12	GPM
13	21	28	36	40	45	l/min

Engineer's Approval

Job # _____

Arch/Eng. _____

Contractor _____



1360 Elmwood Avenue, Cranston, RI 02910 USA
Phone: 401.461.1200 Fax: 401.941.5310

Email: info@leonardvalve.com

Web Site: <http://www.leonardvalve.com>