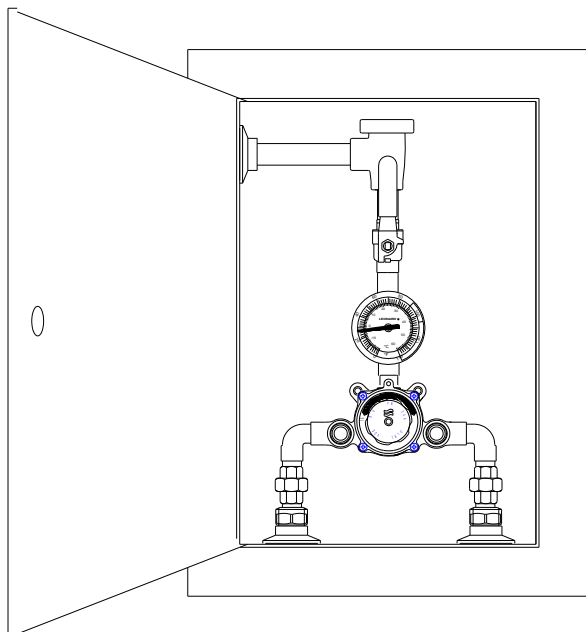


Thermostatic MIXING VALVES

ECO-MIX™

Cabinet Assemblies

TM-296-26-LF _____



- Thermostatic water mixing valve with 1 GPM minimum flow capacity
- 3/4" inlets, 3/4" outlet (19 mm x 19mm), threaded
- Dura-trol® solid bimetal thermostat directly linked to valve porting to control the intake of hot and cold water and compensate for supply temperature or pressure fluctuations. Dura-trol® is highly responsive and cannot be damaged by extremes in temperature.
- Maximum operating pressure: 125 PSI (860 KPA)
- Adjustable high temperature limit stop set for 120° F (49° C) *
- Combination checkstops, unions on inlets, wall support
- Tempered outlet ball valve
- Color coded dial thermometer (0 to 140°F, -10° to 60°C)
- Vacuum breaker
- Cabinet, with door, left hand hinge and flange, cylinder lock
- Bottom inlets, left side outlet
- Factory assembled and tested
- Rough bronze finish
- Select cabinet below



WARNING: This product can expose you to chemicals including lead, which is known to the State of California to cause cancer. For more information, go to www.P65Warnings.Ca.gov

Valve assembly is certified to meet Low-Lead requirements of wetted surface area containing less than 0.25% lead by weight. All other fittings and components, the sum total of which comprise the wetted surface of this product contains less than one quarter of one percent of lead by weight.

***NOTE:** A limit stop, set for 120°F (49°C), is simply a mechanical setting to prevent excessive handle rotation. If incoming water is hotter than 150°F (65.5°C), the temperature of the factory test, the valve when turned to full HOT may deliver water in excess of 120°F and the limit stop **MUST BE RESET BY THE INSTALLER**

Engineer's Approval

Job # _____

Arch/Eng. _____

Contractor _____

Valve is ASSE 1017 Certified



Valve is CSA Certified



OPTIONS:

- ___ SUFFIX CP – Chrome plated (Material finish may vary)
- ___ SUFFIX BWE REC- Steel cabinet, baked white enamel recessed
- ___ SUFFIX STSTL REC- Stainless Steel recessed cabinet
- ___ SUFFIX BWE EXP- Exposed cabinet, baked white enamel
- ___ SUFFIX STSTL EXP- Exposed cabinet, Stainless steel
- ___ SUFFIX SEMI- Semi-recessed frame 4" deep
- ___ SUFFIX VIEW- View port on door
- ___ SUFFIX IT- Inlet thermometers on outside of exposed cabinets only and shipped loose



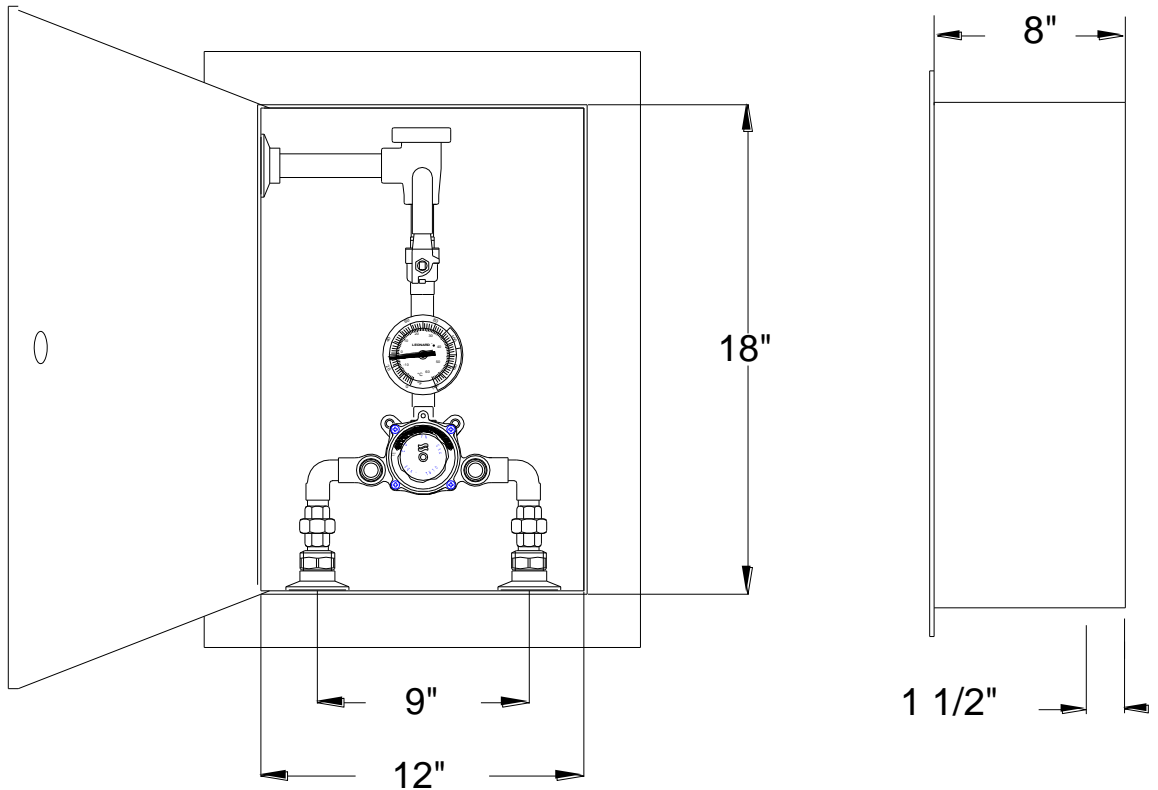
1360 Elmwood Avenue, Cranston, RI 02910 USA

Phone: 401.461.1200 Fax: 401.941.5310

Email: info@leonardvalve.com

Web Site: <http://www.leonardvalve.com>

TM-296-26-LF



MODEL	IN	OUT	MINIMUM FLOW (GPM) (l/min)	SYSTEM PRESSURE DROP (PSIG)										PSI BAR
				5	10	15	20	25	30	35	40	45	50	
TM-26-LF	3/4"	3/4"	1.0 3.7	7 26	10 38	13 49	15 57	17 64	19 72	21 80	23 87	25 95	26 98	GPM l/min

CAUTION! All thermostatic water mixing valves have limitations. They will NOT provide the desired accuracy outside of their flow capacity range. Consult the Flow Capacity Chart and DO NOT OVERSIZE. Minimum flow must be no less than as indicated.



1360 Elmwood Avenue, Cranston, RI 02910 USA

Phone: 401.461.1200 Fax: 401.941.5310

Email: info@leonardvalve.com

Web Site: <http://www.leonardvalve.com>