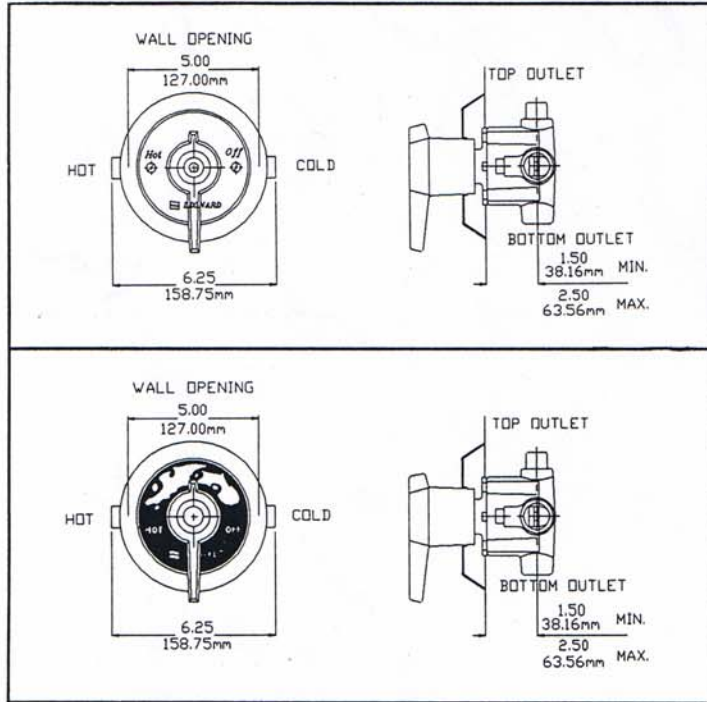


NEW STYLE*

5500, 5510 (1/2")

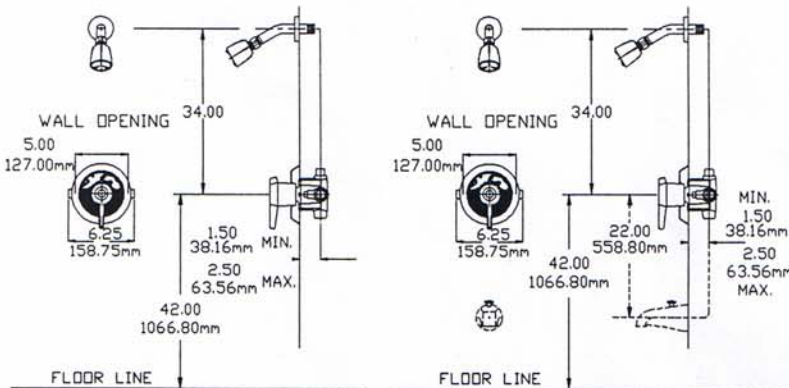
*Serial Nos. G9200 and higher

INSTALLATION INSTRUCTIONS



SHOWER

TUB/SHOWER



1. Valve must NOT be sealed in wall with plaster or tile. Cover screws and inlet checkstops MUST be accessible for servicing. Attach plaster mark which also serves as a guide for finish wall line after piping connections have been made.
2. Before soldering, open checkstops and turn lever handle counter clockwise to the middle position.
3. Pipe cement, solder and solder flux must be used sparingly.
4. After connections are made (hot-left, cold-right) to the valve, remove the cover (05447) and cartridge (05402), open the checkstops to flush pipes thoroughly to remove dirt and excess materials which might become lodged on the working parts of the valve.
5. **NOTE:** This valve is designed for shower or tub/shower installations. For showers, the top outlet only is used and a pipe plug remains in the bottom outlet. For tub/shower, pipe down from the bottom outlet to a diverter tub spout and pipe up from the top outlet to a shower head.
6. Attach wall flange (05422) decorative dial* (5510 Models only) and pointer (05419).
*Remove protective coating from dial plate and peel off back to expose adhesive.
7. Turn on hot and cold supplies to valve (using a 3/16" blade screwdriver).

OPERATION

The Aquatrol is a pressure balanced shower/bath valve designed to compensate for changes in the pressures of hot and cold supplies to maintain comfortable bathing temperatures. Turn the lever handle counter clockwise from the "OFF" position through the BLUE (cold) area on the dial plate (5510 Models only). The shower is on and temperature is cool. As the handle enters the RED (hot) area (5510 Models only) temperature becomes progressively warmer until the high temperature is reached in the full "HOT" position. To turn OFF, move the handle back in clockwise direction to the "OFF" position.



WARNING

WARNING! THIS MIXING VALVE IS EQUIPPED WITH AN ADJUSTABLE HIGH TEMPERATURE LIMIT STOP FACTORY SET AT APPROXIMATELY 110°F (43°C) WITH AN INCOMING HOT WATER SUPPLY TEMPERATURE OF 135°F (57°C). IF INCOMING HOT WATER ON THE JOB IS HIGHER (OR LOWER) THAN 135°F, THE VALVE WHEN TURNED TO FULL HOT MAY DELIVER WATER IN EXCESS OF (OR LOWER THAN) 110°F, AND THE HIGH TEMPERATURE LIMIT STOP MUST BE RESET BY THE INSTALLER. (SEE BELOW) (SEE REVERSE)

LIMITED WARRANTY

Leonard Valve Company warrants the original purchaser that products manufactured by them (not by others) will be free from defects in materials and workmanship under normal conditions of use, when properly installed and maintained in accordance with Leonard Valve Company's instructions, for a period of one year from date of shipment. During this period the Leonard Valve Company will at its option repair or replace any product, or part thereof, which shall be returned to the Leonard factory and determined by Leonard to be defective. There are no warranties, express or implied which extend beyond the description contained herein. In no event will Leonard be liable for labor or consequential damages.

CLAIMS

No claim will be considered unless presented in writing within 60 days after receipt of goods.

No claim will be allowed for products damaged during or after installation, or in transit, and expenses incurred with claims for which Leonard is not liable and may be charged to the buyer.

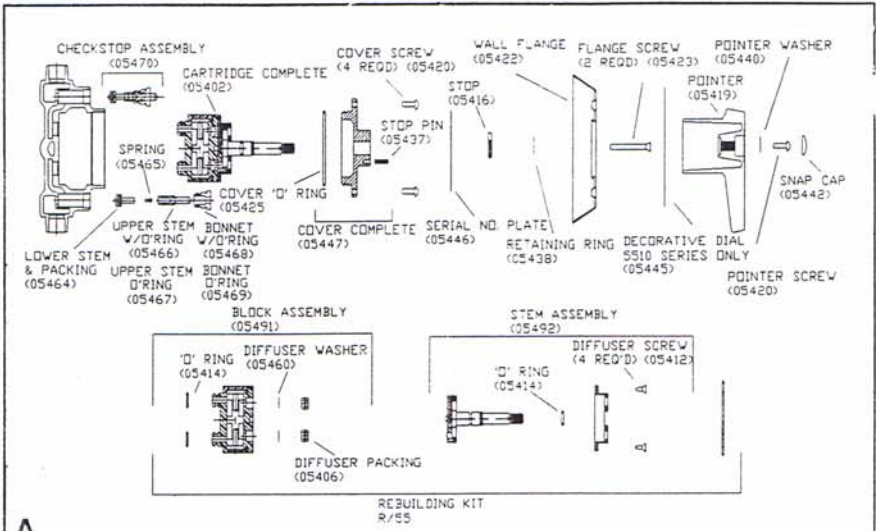
REMEMBER!! THIS IS A CONTROL DEVICE WHICH MUST BE CLEANED AND MAINTAINED ON A REGULAR BASIS, DEPENDING UPON WATER CONDITIONS AND USAGE!

TO DISASSEMBLE:

INSTRUCTIONS FOR SERVICING

A-2

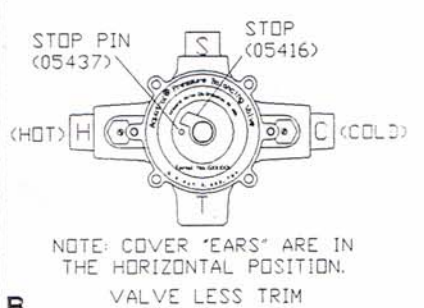
- Remove lever handle (pointer-05419) and wall flange (05422) See DWG A.
 - Turn off hot and cold supplies (using a 3/16" blade screwdriver) See DWG B.
 - Temporarily place pointer on spline and turn LEFT to full "HOT" position. Remove cover screws (05420) to remove cover (05437) and complete cartridge (05402).
 - To separate the cover from complete cartridge, remove the retaining ring (05438) and stop (05416).
 - Service generally requires only replacement of the diffuser packings (05406) and the diffuser washers (05460). To disassemble complete cartridge, remove the four diffuser screws (05412) see DWG A.
 - IMPORTANT!** When reassembling, make certain the large crescent-shaped opening in the stem assembly is on the RIGHT side of the valve. See DWG D.
 - FOR BACK-TO-BACK INSTALLATION.** The valve which will require reversed hot and cold supplies may be easily adjusted by removing the cartridge and re-installing it in the body with the crescent-shaped opening on the left side as in DWG E.
- WHEN REASSEMBLING OR AFTER INSTALLATION THE TEMPERATURE LIMIT STOP MUST BE SET BY THE INSTALLER.



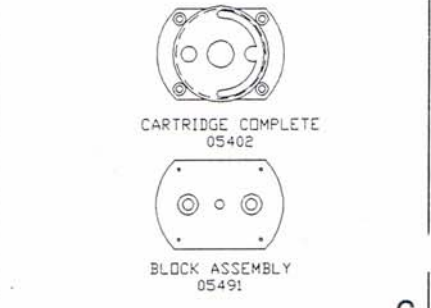
A

WARNING

WARNING! THIS MIXING VALVE IS EQUIPPED WITH AN ADJUSTABLE HIGH TEMPERATURE LIMIT STOP FACTORY SET AT APPROXIMATELY 110°F (43°C) WITH AN INCOMING HOT WATER SUPPLY TEMPERATURE OF 135°F (57°C). IF INCOMING HOT WATER ON THE JOB IS HIGHER (OR LOWER) THAN 135°F, THE VALVE WHEN TURNED TO FULL HOT MAY DELIVER WATER IN EXCESS OF (OR LOWER THAN) 110°F, AND THE HIGH TEMPERATURE LIMIT STOP MUST BE RESET BY THE INSTALLER. (SEE BELOW)



B

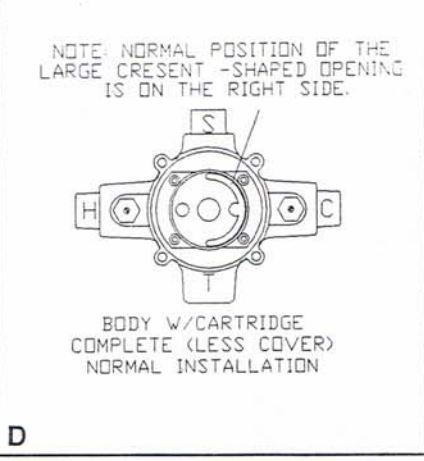


C

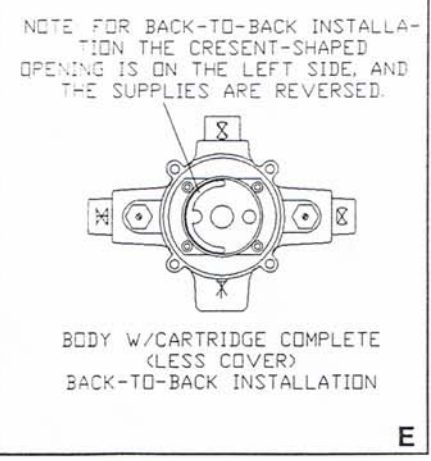
TO RESET TEMPERATURE LIMIT STOP (See DWG B).

- Remove pointer (05419) retaining ring (05438) and stop (05416).
- Replace pointer on spline and turn pointer to the left or right until the valve is delivering the highest desired temperature OF 110° F OR LOWER, then remove pointer.
- Replace stop (05416) on spline so that its LEFT edge is resting against the stop pin (05437) on the cover.
- Replace retaining ring (05438).
- Reinstall pointer so that it is pointing to HOT position.

IMPORTANT! TEST THE NEW HIGH TEMPERATURE SETTING BY HOLDING A THERMOMETER UNDER THE FLOW OF WATER.



D



E

TROUBLESHOOTING INSTRUCTIONS	
PACKINGS & O'RINGS	Kit Req'd Parts included
1. Leak at valve stem or handle.	05460 (2 ea)
2. Valve will not shut off completely.	05406 (2 ea)
3. Valve is difficult to pull apart.	05414 (3 ea) 05425 (1 ea)

CARTRIDGE	Kit Req'd Parts included
4. Valve delivers all hot or all cold water or will not mix consistently (an audible clicking of the piston should be evident when the cartridge is shaken by hand).	Kit R/55 05402 05425
Note: Piston may be moved by inserting a thin pin through the lower (hot and cold) openings in the block assembly (See DWG C, top of the block shown).	

CHECKSTOPS	Kit Req'd Parts included
5. Supplies cannot be shut off completely.	05470 (2 ea)
6. Leak at checkstop stem or bonnet. (Note: Use a 3/16" blade screwdriver to open the checkstop and needle nose pliers to remove the lower stem).	or (2 ea): 05469 05466 05465 05464