

# THERMOSTATIC MIXING VALVE

## ECO-MIX™

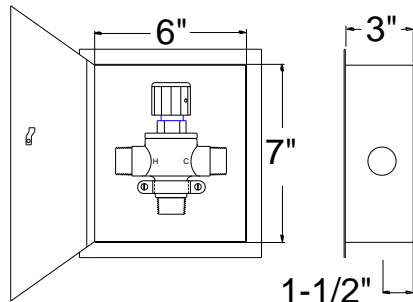
# MODEL 370-LF-\_\_\_\_\_

## CABINET ASSEMBLY

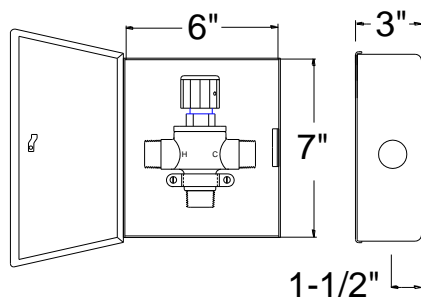
### THERMOSTATIC POINT OF USE

MODEL 370 3/4" inlets / outlet (MIPS connections)

STSTL  
REC



STSTL  
EXP



### MATERIALS:

- Lead-Free Bronze body
- Locked temperature adjustment cap (vandal resistant)
- Copper encapsulated thermostat assembly with polymer thermoplastic shuttle
- Stainless steel springs
- Integral check valves on hot and cold inlets
- Stainless Steel Cabinet, 6"x7"x3" with cylinder lock, options will change size to 10"x10"x5", see page 2

### PRESSURE-TEMPERATURE:

- Minimum Flow: 0.5 GPM (1.9 l/Min)
- Maximum Pressure: 125 PSI (8.6 BAR)
- Maximum Hot Water temperature: 200°F (93°C)
- Approach Temperature 5°F (2.8°C) above set point.
- Temperature adjustment range, 90-140°F (32-60°C) \*

### OPTIONS:

SEE PAGE 2 FOR ALL OPTIONS

Note: for all options see page 2, cabinet size will change with any options, (excluding "CP")

**FOR ALL OPTIONS SEE PAGE 2,  
CABINET SIZE WILL CHANGE  
WITH ANY OPTIONS,  
(EXCLUDING "CP")**

PRESSURE DROP						
5	10	20	30	40	50	PSI
.35	.70	1.4	2.1	2.8	3.4	BAR
4	6	8	10	11.5	13	GPM
15	23	30	38	44	49	l/min

**This product is certified to meet Low Lead requirements of wetted surface area containing less than 0.25% lead by weight**

Note: Leonard Valve Company reserves the right of product, or design modifications without notice or obligation.

<b>Engineer's Approval</b>	Job # _____
	Arch/Eng. _____
	Contractor _____
*NOTE: For temperatures outside of this valve's stated range, please see our line of bi-metal valves.	

### Certifications:

ASSE 1017, 1070-2015



CSA B125.70-15



**Certified to NSF61 thru the ASSE 1070 testing process**



**WARNING:** This product can expose you to chemicals including lead, which is known to the State of California to cause cancer. For more information, go to [www.P65Warnings.Ca.gov](http://www.P65Warnings.Ca.gov)



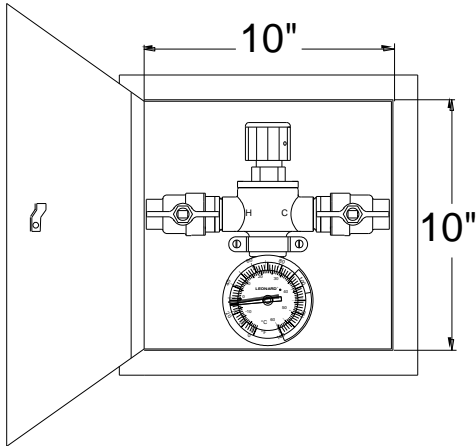
1360 Elmwood Avenue, Cranston, RI 02910 USA

Phone: 401.461.1200 Fax: 401.941.5310

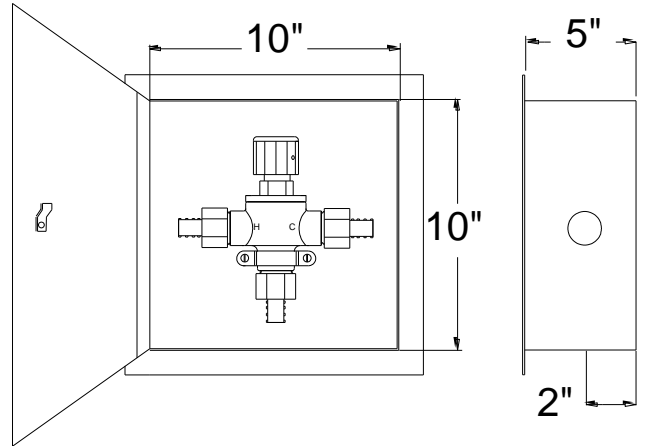
Email: [info@leonardvalve.com](mailto:info@leonardvalve.com)

Web Site: <http://www.leonardvalve.com>

**IF NO OPTIONS ARE CHOSEN (EXCLUDING "CP") CABINET SIZE WILL BE 6"x7"x3". IF ANY OTHER OPTION IS CHOSEN, "RHH", "BV", "SW", "DT", "PEX" OR "CPVC" THE CABINET SIZE WILL BE 10"x10"x5" AS NOTED BELOW.**



**ABOVE SHOWN WITH  
BV AND DT OPTION**



**ABOVE SHOWN WITH  
PEX OPTION (SHIPPED LOOSE)**

**OPTIONS:**

- SUFFIX STSTL REC- Recessed stainless steel cabinet, #4 finish
- SUFFIX STSTL EXP- Exposed stainless steel cabinet, #4 finish
- SUFFIX BWE REC- Recessed baked white cabinet
- SUFFIX BWE EXP- Exposed baked white cabinet
- SUFFIX CP- Chrome plated

**NOTE: If NO options below are chosen, cabinet size will be 6"x7"x3", if any option below is chosen the cabinet size will be 10"x10"x5"**

- SUFFIX RHH- Right hand hinge
- SUFFIX BV- Inlet ball valves
- SUFFIX SW- Sweat connections (Shipped Loose)
- SUFFIX DT- Dial thermometer \*\*
- SUFFIX PEX- F1807 Pex Adapters (Shipped Loose)\*\*\*
- SUFFIX CPVC- CPVS Socket Weld Adapters (Shipped Loose)\*\*\*

\*\* Cannot be combined with SW option

\*\*\* Cannot be combined with CP, BV, SW or DT options

<b>Engineer's Approval</b>	Job # _____
	Arch/Eng. _____
	Contractor _____



**1360 Elmwood Avenue, Cranston, RI 02910 USA**

**Phone: 401.461.1200 Fax: 401.941.5310**

**Email: [info@leonardvalve.com](mailto:info@leonardvalve.com)**

**Web Site: <http://www.leonardvalve.com>**

Note: Leonard Valve Company reserves the right of product, or design modifications without notice or obligation.