

THERMOSTATIC MIXING VALVES

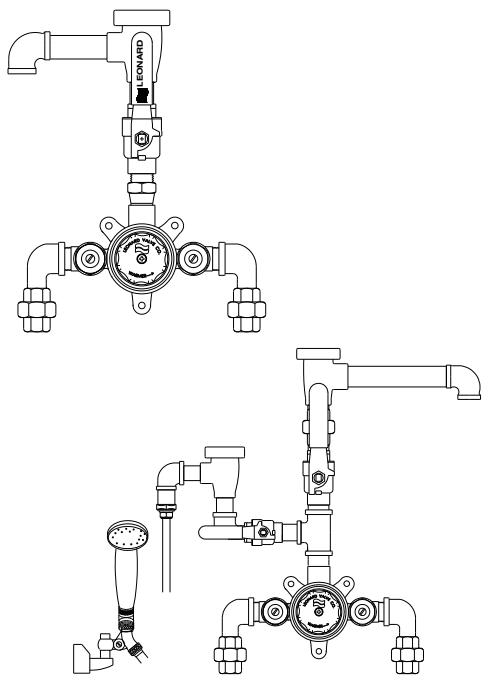
ECO-MIX™

Hydrotherapy Control Units

Whirlpool Bath
Arm-Leg-Hip-Lower Lumbar Bath

LV-356-__-LF

__LV-356-10-LF 1/2" threaded inlets and outlet
__LV-356-20-LF 3/4" threaded inlets and outlet *



- Thermostatic Water Mixing Valve with 1 GPM (3.8 l/min) minimum flow capacity
 - Integral combination checkstops with wall support
 - 125 PSI (8.6 BAR) maximum operating pressure
 - Copper encapsulated thermostatic assembly with stainless steel shuttle
 - Locking temperature regulating handle
 - Internal parts of brass, bronze and stainless steel
 - Outlet volume control / shutoff, vacuum breaker
 - Factory assembled and tested
 - Chrome plated finish only
 - Temperature adjustment range, 90-140°F (32-60°C) **
 - See Flow Capacity Chart to select correct size
- Complies with ASSE 1017

__LV-356-20-LF*

- Thermostatic Water Mixing Valve with 1 GPM (3.8 l/min) minimum flow capacity
- 3/4" threaded inlets, 3/4" threaded outlet (19 mm x 19mm)
- See Flow Capacity Chart
- Same features & settings as above

__LV-356-10-LF W/HA

- Extra 1/2" hose attachment
- Ball valve shutoff
- Vacuum breaker
- 60" chrome hose, hand spray, wall hook
- Chrome plated finish only
- Factory assembled and tested

__LV-356-20-LF W/HA*

- Thermostatic Water Mixing Valve with 1 GPM (3.8 l/min) minimum flow capacity
- 3/4" threaded inlets, 3/4" threaded outlet (19 mm x 19mm)
- See Flow Capacity Chart
- Same features & settings as above

* Valve is ASSE 1017 Certified
* Valve is CUPC Certified



WARNING: This product can expose you to chemicals including lead, which is known to the State of California to cause cancer. For more information, go to www.P65Warnings.Ca.gov

OPTIONS:

__SUFFIX DT – Dial thermometer

Engineer's Approval	Job # _____
	Arch/Eng. _____
	Contractor _____

CAUTION! All thermostatic water mixing valves have limitations. They will NOT provide the desired accuracy outside of their flow capacity range. Consult the Flow Capacity Chart and DO NOT OVERSIZE. Minimum flow must be no less than as indicated.

Note: Leonard Valve Company reserves the right of product, or design modifications without notice or obligation.

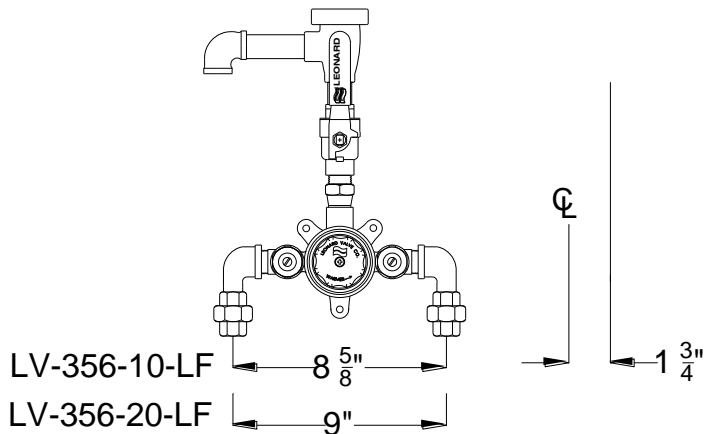
**NOTE: For temperatures outside of this valve's stated range, please see our line of bi-metal valves.

Valve is certified to meet Low-Lead requirements of wetted surface area containing less than 0.25% lead by weight. All other fittings and components, the sum total of which comprise the wetted surface of this product, contain less than one quarter of one percent of lead by weight.

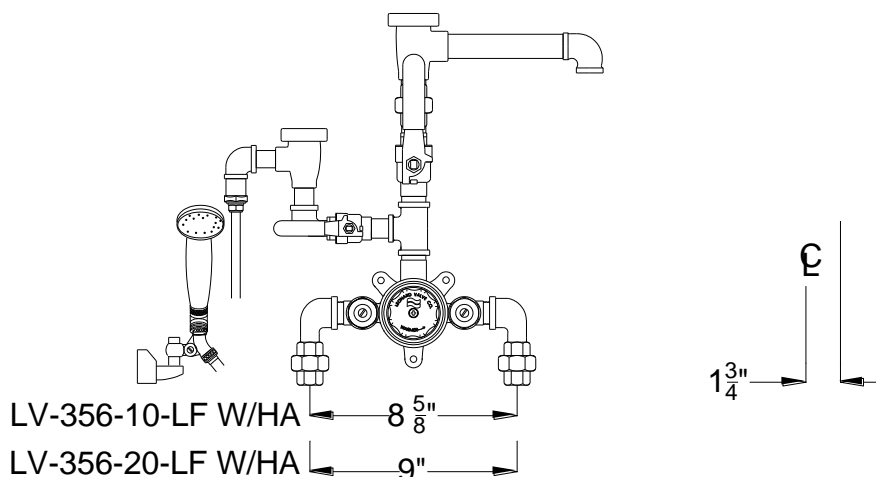


1360 Elmwood Avenue, Cranston, RI 02910 USA
Phone: 401.461.1200 Fax: 401.941.5310
Email: info@leonardvalve.com
Web Site: <http://www.leonardvalve.com>

LV-356-10-LF & 20-LF



LV-356-10-LF & 20-LF W/HA



MODEL	IN	OUT	MINIMUM FLOW (GPM) (l/min)	SYSTEM PRESSURE DROP (PSIG)										PSI BAR
				5	10	15	20	25	30	35	40	45	50	
				0.3	0.7	0.97	1.4	1.7	2.1	2.4	2.8	3.1	3.4	
LV-356-10-LF	1/2"	1/2"	1.0 (3.8)	4 15	6 23	7.5 28	8.8 33	10 38	11 42	12 46	13 49	14 53	15 57	GPM l/min
LV-356-20-LF	3/4"	3/4"	1.0 (3.8)	6 23	9 34	12 45	14 53	16 61	18 68	20 76	22 83	24 89	25 95	GPM l/min



1360 Elmwood Avenue, Cranston, RI 02910 USA

Phone: 401.461.1200 Fax: 401.941.5310

Email: info@leonardvalve.com

Web Site: <http://www.leonardvalve.com>