

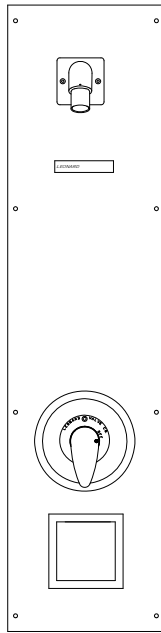
# WALL MOUNTED SHOWER SYSTEMS

surfashower®

VALVE IS ASSE 1016 LISTED  
VALVE IS CSA LISTED



## PRESSURE ACTUATED MODELS



**SS-PAM-200/3ISA-RSD-FL**

### \_\_SS-PAM-200/3ISA-FL-RSD Surfashower®

- PAM® -II, Pressure Actuated Shower Mixer
- Stainless steel pressure balancing piston
- Built-in shutoff for single handle operation
- Color-coded dial
- Adjustable high temperature limit stop set for 110°F\* (43°C)
- Inlet check stops.
- H06 shower head, ball joint 2.5 GPM (9.5 l/min.)
- Special cast mounting bracket
- Factory pre-assembled with 16 gauge stainless steel cover, #4 finish, for flush mount installation.
- Recessed soap dish
- Exposed parts chrome plated, vandal-resistant.
- 1/2" inlets, with flexible stainless steel supply hose.
- Maximum operating pressure: 125 PSI (860 KPA)

### \_\_SS-PAM-204-FL-RSD

- H-03 adjustable spray ball joint shower head 2.5 GPM (9.5 l/min.)
- Cast flange shower head fitting

### \_\_SS-PAM-H15-FL-RSD

- H-15 Brass Chrome plated 1.50 GPM (5.7 l/min)

## OPTIONS:

\_\_SUFFIX ADJ- 3ISA ONLY Adjustable shower head 2.5 GPM (9.5 l/min)

\_\_SUFFIX C102S- Brass ball joint head 2.0 GPM (7.6 l/min)

<b>Engineer's Approval</b>	Job # _____
	Arch/Eng. _____
	Contractor _____

\*NOTE: A limit stop, set for 110°F (43°C), is simply a mechanical setting to prevent excessive handle rotation. If incoming water is hotter than 135°F (57°C), the temperature of the factory test, the valve when turned to full HOT may deliver water in excess of 110°F and the limit stop MUST BE RESET BY THE INSTALLER



**WARNING:** This product can expose you to chemicals including lead, which is known to the State of California to cause cancer. For more information, go to [www.P65Warnings.Ca.gov](http://www.P65Warnings.Ca.gov)



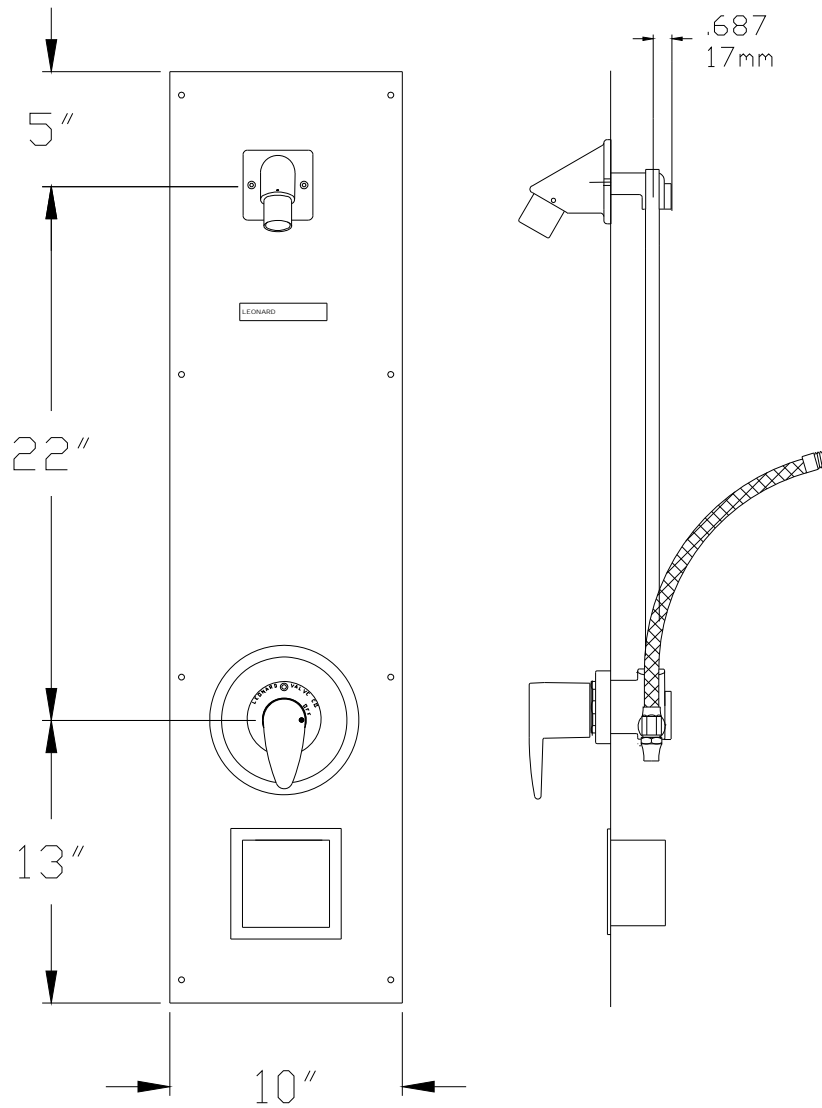
1360 Elmwood Avenue, Cranston, RI 02910 USA

Phone: 401.461.1200 Fax: 401.941.5310

Email: [info@leonardvalve.com](mailto:info@leonardvalve.com)

Web Site: <http://www.leonardvalve.com>

**SS-PAM-200/3ISA-FL-RSD**



**\*NOTE:** A limit stop, set for 110°F (43°C), is simply a mechanical setting to prevent excessive handle rotation. If incoming water is hotter than 135°F (57°C), the temperature of the factory test, the valve when turned to full HOT may deliver water in excess of 110°F and the limit stop **MUST BE RESET BY THE INSTALLER**

**Engineer's Approval**



1360 Elmwood Avenue, Cranston, RI 02910 USA

Phone: 401.461.1200 Fax: 401.941.5310

Email: [info@leonardvalve.com](mailto:info@leonardvalve.com)

Web Site: <http://www.leonardvalve.com>

© 2018 Leonard Valve Company  
Printed in USA