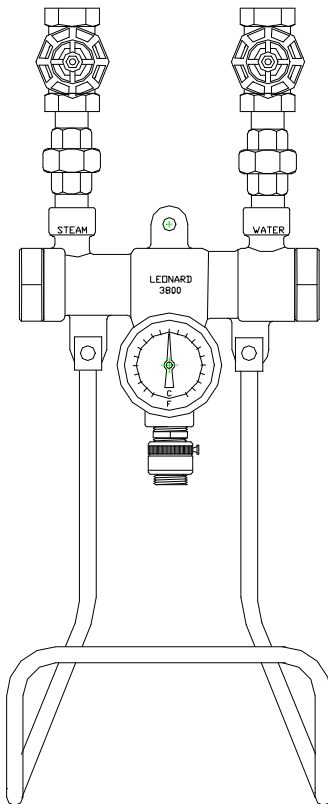


INDUSTRY HOSE STATION

3800-VBD

STEAM & WATER BLENDER WITH AUTOMATIC SAFETY SHUTDOWN



___ 3800-VBD

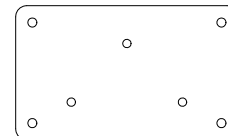
- Steam is instantly shut/down upon water supply failure
- 3/4" IPS inlets and outlet.
- Two stop and check valves with color coded heat-resistant handles, and all stainless steel internal components.
- Interior stainless steel control assembly
- Manually adjustable temperature
- Outlet dial thermometer (20 to 240°F, -5 to 115°C)
- Vacuum breaker
- Hose connection
- Rough bronze finish
- Stainless steel hose rack
- Maximum pressure 80 PSI (552 KPA)
- Maximum operating temperature 200°F (93°C)

___ 3800-D Less vacuum breaker

OPTIONS

___ SUFFIX CP- Chrome plated finish

___ 3812- Stainless steel mounting plate



OPTIONAL MOUNTING PLATE

Job # _____	Engineer's Approval
Arch/Eng. _____	
Contractor _____	
CAUTION: Follow recommended operating instructions and wear protective clothing during use.	



WARNING: This product can expose you to chemicals including lead, which is known to the State of California to cause cancer. For more information, go to www.P65Warnings.Ca.gov

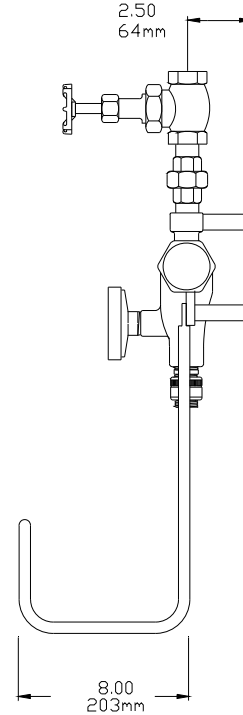
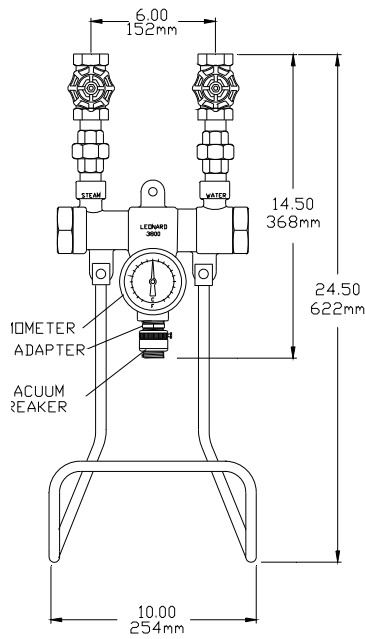


1360 Elmwood Avenue, Cranston, RI 02910 USA

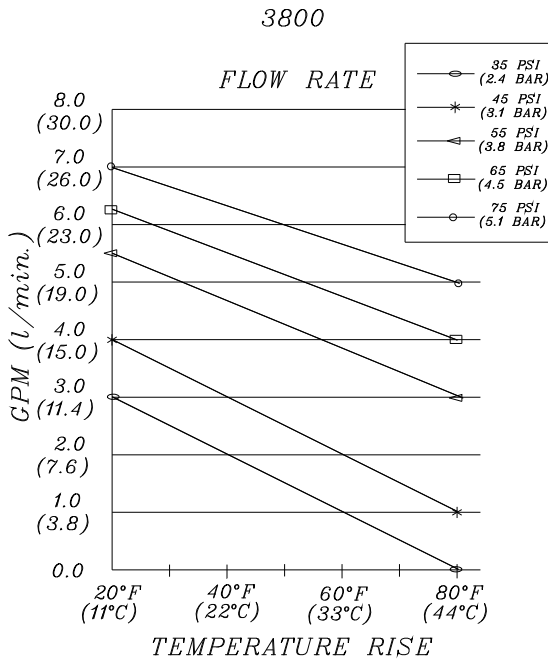
Phone: 401.461.1200 Fax: 401.941.5310

Email: info@leonardvalve.com

SEE REVERSE SIDE FOR FLOW CAPACITY CHART



3800-VBD



TEMPERATURE RISE

PSI BAR	20°F 11°C	30°F 16°C	40°F 22°C	50°F 27°C	60°F 33°C	70°F 38°C	80°F 44°C	
35 2.4	3.0 11.4	2.5 9.5	2.5 9.5	2.0 7.6	2.0 7.6	1.0 3.8	0.0 0.0	GPM l/min
45 3.1	4.0 15.0	4.0 15.0	3.5 13.0	3.5 13.0	3.0 11.4	2.5 9.5	1.0 3.8	GPM l/min
55 3.8	5.5 21.0	5.0 19.0	4.5 17.0	4.0 15.0	4.0 15.0	3.5 13.0	3.0 11.4	GPM l/min
65 4.5	6.0 23.0	6.0 23.0	5.5 21.0	5.0 19.0	4.5 17.0	4.5 17.0	4.0 15.0	GPM l/min
75 5.1	7.0 26.0	6.5 25.0	6.0 23.0	5.5 21.0	5.5 21.0	5.0 19.0	5.0 19.0	GPM l/min

FLOW RATE (GPM)
(WITH 25 FT HOSE AND N2 NOZZLE ON OUTLET)

**SPECIFICATIONS SUBJECT TO CHANGE
WITHOUT NOTICE!**



1360 Elmwood Avenue, Cranston, RI 02910 USA

Phone: 401.461.1200 Fax: 401.941.5310

Email: info@leonardvalve.com

Printed in USA

© 2018 Leonard Valve Company