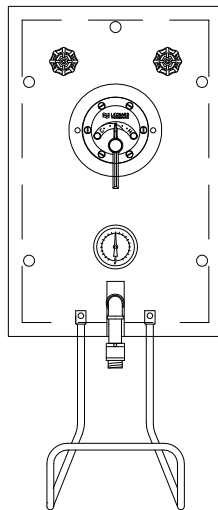
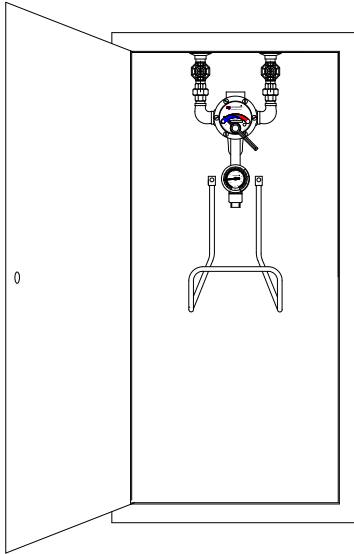


INDUSTRY HOSE STATIONS



THS-25-VBD-LF-CWH THS-25-VBD-LF-CW

THERMOSTATIC STEAM & WATER MIXERS

Mix hot & cold water OR steam & water

THS-25-VBD-LF-CWH CABINET

- Thermostatic Steam & Water Mixer
- 3/4" IPS steam (or hot water) inlet
- 3/4" IPS cold water inlet, 3/4" outlet
- Two stop and check valves with color coded heat resistant handles on inlets, (internal parts of stainless steel construction)
- TMS-25 Thermostatic Mixing Valve
- Maximum operating pressure: 125 PSI (860 KPA)
- Dura-trol® solid bimetal thermostat directly linked to valve porting
- Color coded scale: Cold to Hot, high temperature limit stop
- Heat resistant temperature adjusting lever
- Integral wall support
- Outlet with dial thermometer (20 to 240°F, -5 to 115°C)
- Vacuum breaker, hose connection
- Chrome plated finish
- Stainless steel hose rack
- Recessed cabinet with door, left hand hinge, lock on right, body 16 gauge stainless steel, door and flange 12 gauge stainless steel, #4 finish, top inlets.

THS-25-VBD-CW CABINET

- Panel-type recessed stainless steel cabinet, body 16 gauge stainless steel, cover 12 gauge stainless steel, #4 finish. Top inlets. Hose rack mounts on front cover

OPTIONS:

___ TL- Turn latch

NOTE: ESS - Exposed type cabinet **NOT AVAILABLE AS OF 10/22/2012**



WARNING: This product can expose you to chemicals including lead, which is known to the State of California to cause cancer. For more information, go to www.P65Warnings.Ca.gov

This Product is Third Party certified to meet national Low Lead requirements of AB 1953 where wetted surface area is required to be less than 0.25% lead by weight.

NOTE: Hose and nozzle not included. If required, please attach separate submittal sheet.

CAUTION: These valves may pass live steam under certain circumstances. Follow recommended operating instructions and wear protective clothing when using.

Product is non-cancellable and non-returnable from date from order with factory. Signed submittal required with purchase order.

IMPORTANT! Not for use with steam and water pressures above 80 PSI (5.5 bar). The prevailing steam (or hot water) pressure must be slightly lower than the cold water pressure.

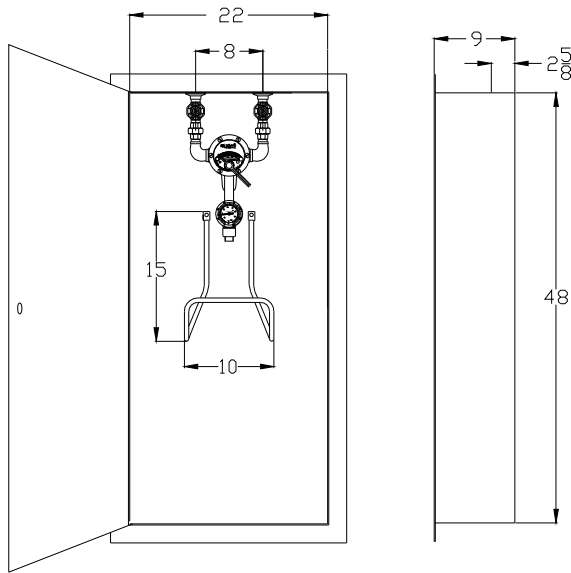
Not for use with unequal pressures. Install pressure reducing valves where unequal pressure conditions exist.



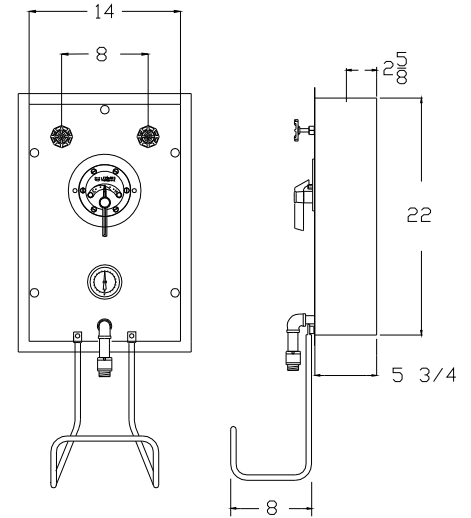
1360 Elmwood Avenue, Cranston, RI 02910 USA
Phone: 401.461.1200 Fax: 401.941.5310
Email: info@leonardvalve.com

THERMOSTATIC STEAM & WATER BLENDERS

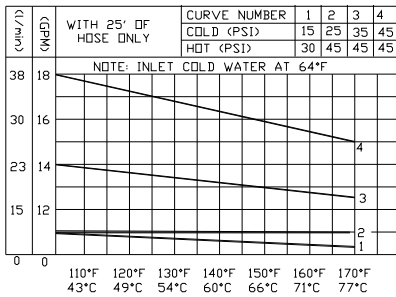
THS-25-VBD-LF-CWH



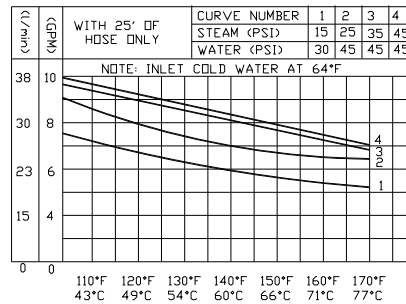
THS-25-VBD-LF-CW



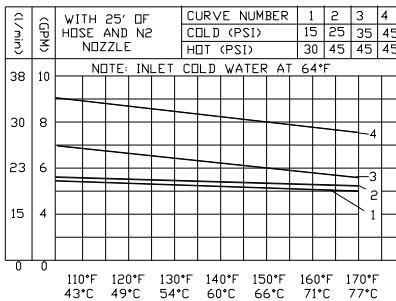
THS UNITS
MIXING HOT AND COLD WATER



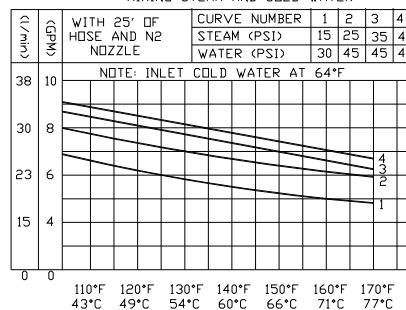
THS UNITS
MIXING STEAM AND COLD WATER



THS UNITS
MIXING HOT AND COLD WATER



THS UNITS
MIXING STEAM AND COLD WATER



NOTE: Hose and nozzle not included. If required, please attach separate submittal sheet.

CAUTION: These valves may pass live steam under certain circumstances. Follow recommended operating instructions and wear protective clothing when using.

IMPORTANT! Not for use with steam and water pressures above 80 PSI (5.5 bar). The prevailing steam (or hot water) pressure must be slightly lower than the cold water pressure.

Not for use with unequal pressures. Install pressure reducing valves where unequal pressure conditions exist.

Engineer's Approval

Job # _____

Arch/Eng. _____

Contractor _____



1360 Elmwood Avenue, Cranston, RI 02910 USA

Phone: 401.461.1200 Fax: 401.941.5310

Email: info@leonardvalve.com