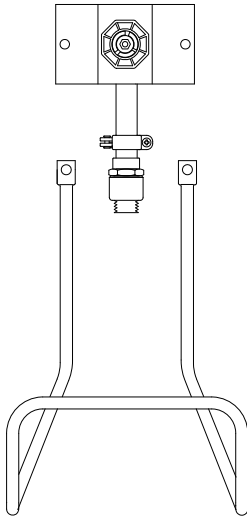


INDUSTRY HOSE STATIONS

SW-75-1571-LF

SINGLE TEMPERATURE HOSE STATION

- 3/4" IPS water inlet
- Combination Volume control/check shutoff valve with heat resistant handle (red)
- Maximum temperature: 180°F (82°C)
- Maximum operating pressure: 125 PSI (860 KPA)
- Special bracket for direct wall mounting
- Outlet with pipe supports
- Vacuum breaker, hose connection outlet
- Chrome plated finish
- Stainless steel hose rack



___ **SW-75-1572-LF** - Less vacuum breaker

OPTIONS:

___ **RF** - Rough Bronze Finish

___ **18110** - Stainless steel mounting bracket (NOTE: not offered with BV option)

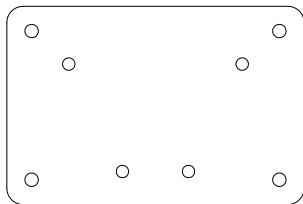
___ **DT** - Dial Thermometer with tee on outlet

___ **BV** - Ball valve in place of volume control/shutoff, with pipe brackets, check valve not included

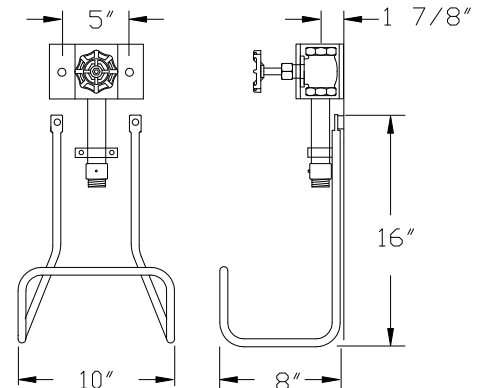


WARNING: This product can expose you to chemicals including lead, which is known to the State of California to cause cancer. For more information, go to www.P65Warnings.Ca.gov

Valve Assembly is Third Party certified to meet national Low Lead requirements of AB 1953 where wetted surface area is required to be less than 0.25% lead by weight.



18110 Mounting plate, (NOTE: not Offered with "BV" option)



Job # _____	Engineer's Approval
Arch/Eng. _____	
Contractor _____	

NOTE: this unit is intended for use with water only. Follow recommended operating instructions and wear protective clothing when in use.

NOTE: Hose and nozzle not included. If required, please attach separate submittal sheet.