

WALL MOUNTED SHOWER SYSTEMS

surfashower®

Valve is ASSE 1016 Listed



MULTIPLE USER
FOR STANDARD AND HANDICAPPED
INSTALLATIONS

THREE PERSON (Thermostatic)



SS-7600-100/3ISA-3P

All Leonard Model 7600 Thermostatic Shower Valves have limitations. Please keep in mind that per the ASSE 1016-2011 Performance Standard, Harmonized along with ASME and CSA, it dictates inlet conditions of equal pressures, 45 PSI on both Hot and Cold Inlets, in addition to a Hot supply temperature range of 140 deg F- 180 deg F. Significant deviations from those conditions stated above will alter performance expectations.



WARNING: This product can expose you to chemicals including lead, which is known to the State of California to cause cancer. For more information, go to www.P65Warnings.Ca.gov

| | |
|---------------------|------------------|
| Engineer's Approval | Job # _____ |
| | Arch/Eng. _____ |
| | Contractor _____ |

© 2018 Leonard Valve Company
Printed in USA

__SS-7600-100/3ISA-2P (TWO PERSON)

- Copper encapsulated thermostat assembly with brass shuttle, compensates for temperature fluctuations induced by water temperature and pressure changes
- Factory pre-assembled with 18 gauge stainless steel cover #4 finish, with top and bottom caps
- 3/4" top inlet connections
- Maximum operating pressure: 125 PSIG (860KPA)
- Vandal resistant screws

__SS-7600-100/3ISA-3P

- Copper encapsulated thermostat assembly with brass shuttle, compensates for temperature fluctuations induced by water temperature and pressure changes
- Factory pre-assembled with 18 gauge stainless steel cover #4 finish, with top and bottom caps
- 3/4" top inlet connections
- Maximum operating pressure: 125 PSIG (860KPA)
- Vandal resistant screws

All Stations with:

- Thermostatic Shower Valve
- Adjustable limit stop set for 110°F (43°C)*
- Built-in shutoff for single handle operation
- Color-coded dial, lever handle
- Integral inlet checkstops, recessed soap dish
- H-06 institutional shower head, 2.5 GPM (9.5 l/min.) max

__SS-7600-104-3P

- Same as above with
- H-03 adjustable spray ball joint shower head 2.5 GPM (9.5 l/min)

THREE PERSON (Thermostatic)

GPM (9.5 l/min) __SS-7600-100/3ISA-3P-HC Three Person Surfashower®

Not ADA compliant due to the recessed soap dish

Same as above with

- D-2L inline diverter valve with lever handle,
- 501P(G) Hand Shower , 2.0 GPM (7.6 l/min) 69" (1.75 m) hose, 24" (610 mm) glide bar, double check valve assembly, supply elbow
- Specify left or right side

__SS-7600-104-3P-HC Three Person Surfashower®

Not ADA compliant due to the recessed soap dish

Same as above with

- H-03 adjustable spray ball joint shower head 2.5

OPTIONS:

- __SUFFIX VX - Integral stainless steel extension to ceiling, specify length____". See reverse side to calculate VX length
- __SUFFIX BC- Back connected solid top cap
- __SUFFIX C102S - C102S Brass showerhead 2.0 GPM flow rate
- __SUFFIX ADJ- 3ISA ONLY Adjustable shower head 2.5 GPM (9.5 l/min)
- __SUFFIX 1.5- H-06 Shower head with 1.5 GPM flow rate



1360 Elmwood Avenue, Cranston, RI 02910 USA

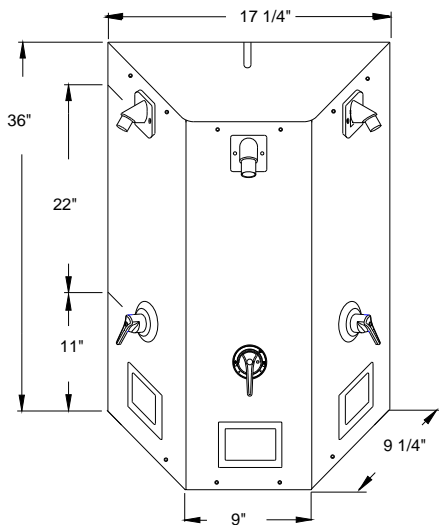
Phone: 401.461.1200 Fax: 401.941.5310

Email: info@leonardvalve.com

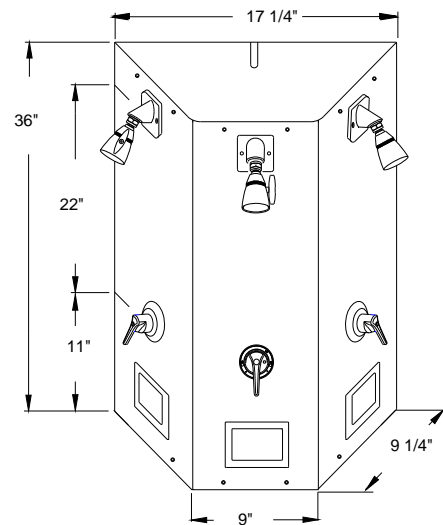
Web Site: <http://www.leonardvalve.com>

MULTIPLE USER surfashower®

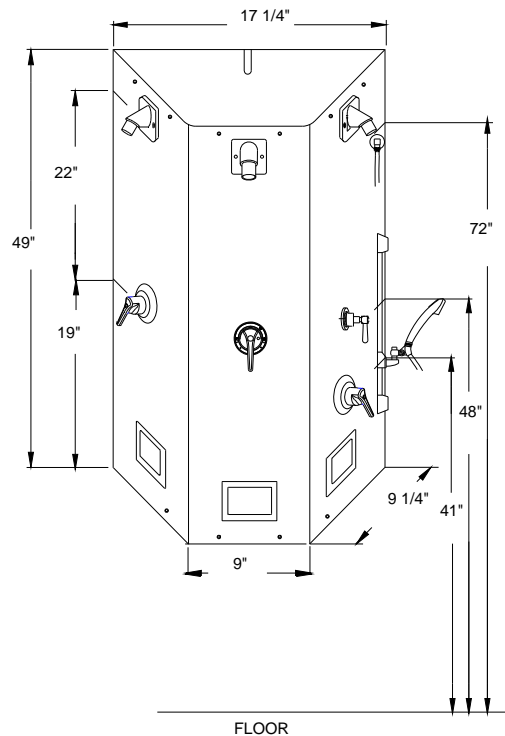
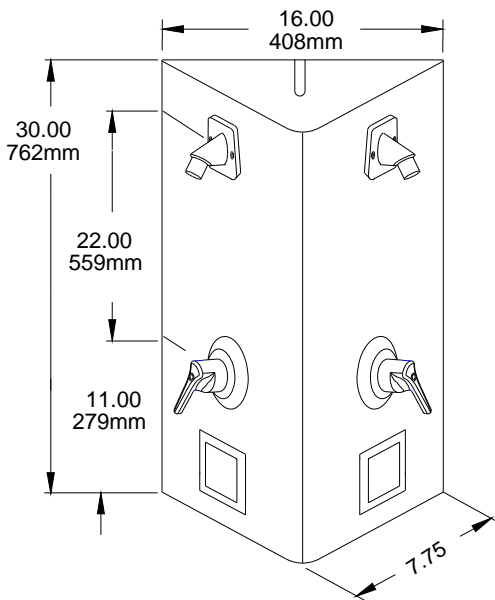
SS-7600-100/3ISA-3P



SS-7600-104-3P



SS-7600-100/3ISA-2P



SUFFIX HC (One station modified
For handicapped use, extended
cover) 3P Unit shown

Note: Leonard Valve Company reserves the right of product, or design modifications without notice or obligation.

© 2018 Leonard Valve Company
Printed in USA



1360 Elmwood Avenue, Cranston, RI 02910 USA
Phone: 401.461.1200 Fax: 401.941.5310
Email: info@leonardvalve.com
Web Site: <http://www.leonardvalve.com>