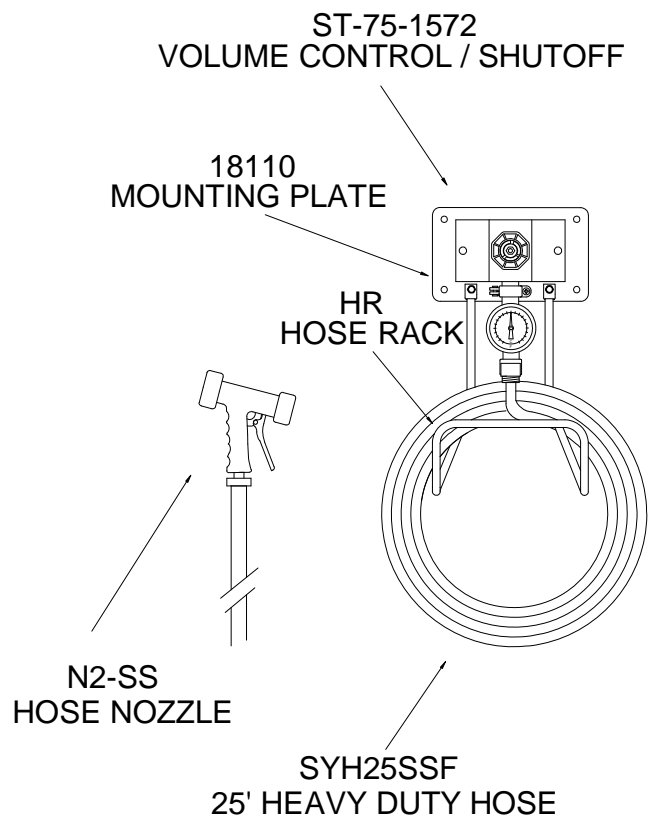


WASHDOWN HOSE STATION ASSEMBLY

SS-HA-1

Single Temperature Stainless Steel Hose Station



- Manual Blender - Type 316 Stainless Steel Construction
- 3/4" NPT Inlet with Stop & Check Valve - Red Heat Resistant Handle
- 3/4" GHT Outlet - Hose Connection with Dial Thermometer (20 to 240°F, -5 to 115°C)
- Stainless Steel Mounting Plate and Hose Rack
- 3/4" Heavy duty Hose with Stainless Steel Fittings - 25' Safety Yellow Hose with Anti-Microbial Exterior Coating
- 40 PSI (2.8 bar) minimum operating pressure
- Maximum Operating Pressure: 125 PSI Hot
- Stainless Steel Hose Nozzle with Heat Resistant Cover



WARNING: This product can expose you to chemicals including lead, which is known to the State of California to cause cancer. For more information, go to www.P65Warnings.Ca.gov

This Product is Third Party certified to meet national Low Lead requirements of AB 1953 where wetted surface area is required to be less than 0.25% lead by weight.

Engineer's Approval	Job # _____
	Arch/Eng. _____
	Contractor _____



1360 Elmwood Avenue, Cranston, RI 02910 USA
 Phone: 401.461.1200 Fax: 401.941.5310
 Email: info@leonardvalve.com
 Web Site: <http://www.leonardvalve.com>

SS-HA-1

