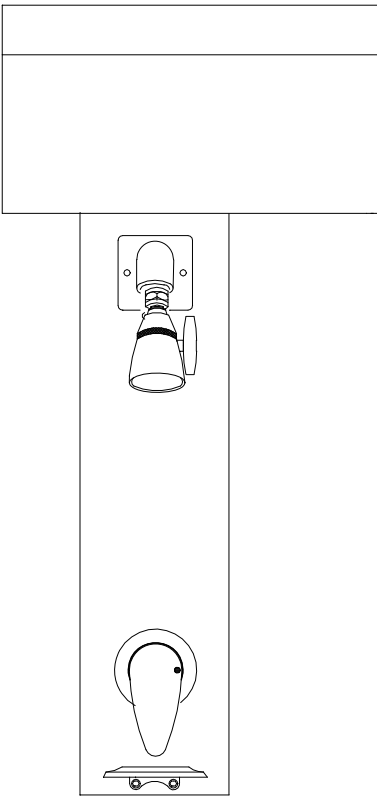


WALL MOUNTED SHOWER SYSTEMS

surfashower®

SLOPING TOP HORIZONTAL PIPE COVER WITH ATTACHED SURFASHOWER® UNITS



___ FT. OF SS-HC
HORIZONTAL PIPE COVER

- 18 gauge stainless steel, #4 finish
- 16 gauge back plate, furnished in 12" sections, (one back plate per three feet of SS-HC), with screws
- ___ End caps
- ___ Inside corners
- ___ Outside corners
- ___ SS-___-___ Surfashower® units attached, see separate submittal sheet
- ___ SS-___-___ Handicapped Surfashower® units attached, see separate submittal sheet
- Detailed shower room drawing attached
- Horizontal supply piping by others

OPTIONS:

___ SUFFIX SVX – Separate stainless steel extension to conceal hot and cold supply piping. Specify length ___* on the attached separate submittal sheet.



WARNING: This product can expose you to chemicals including lead, which is known to the State of California to cause cancer. For more information, go to www.P65Warnings.Ca.gov

Note: Leonard Valve Company reserves the right of product, or design modifications without notice or obligation.

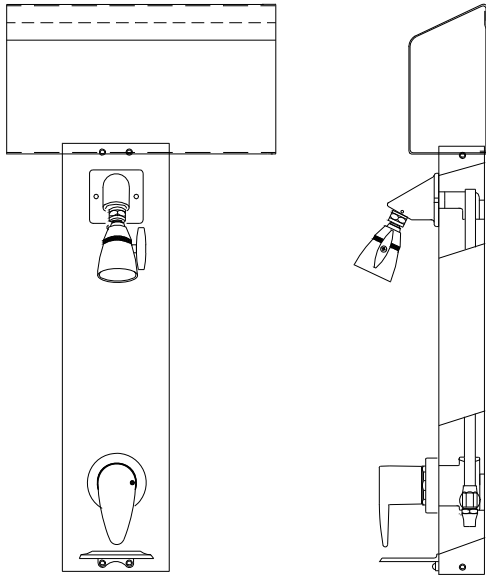
Job # _____
Arch/Eng. _____
Contractor _____



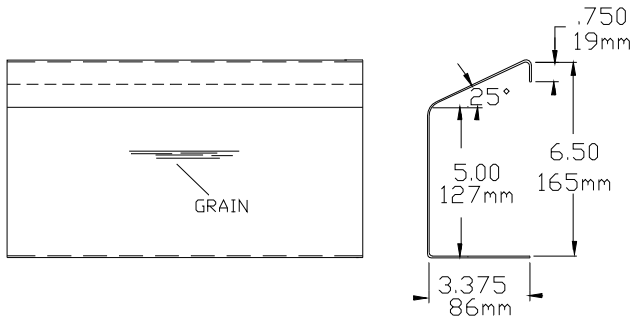
1360 Elmwood Avenue, Cranston, RI 02910 USA
Phone: 401.461.1200 Fax: 401.941.5310
Email: info@leonardvalve.com
WEB: <http://www.leonardvalve.com>

WALL MOUNTED SHOWER SYSTEMS

Sloping Top Horizontal Pipe Cover with Attached Surfashower® Units.

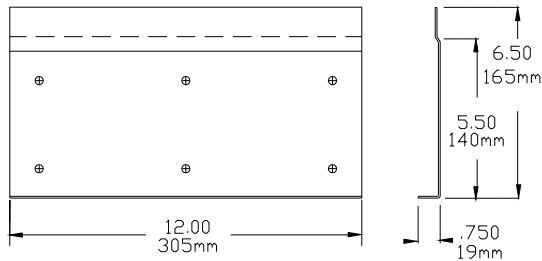


HORIZONTAL COVER



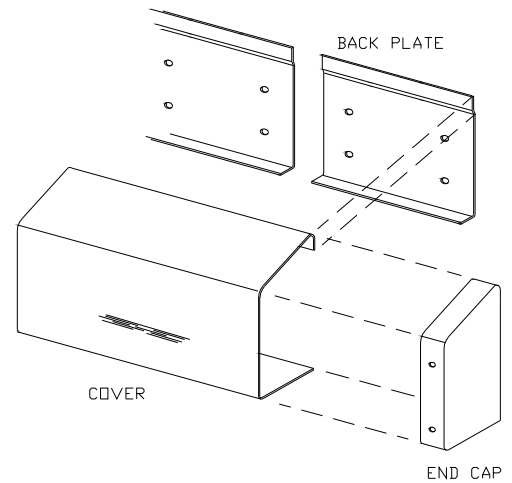
BACK PLATE

MATERIAL: 16 GA. STAINLESS STEEL #2B FINISH



SAMPLE INSTRUCTIONS

1. Attach back plate securely to wall
2. Slip horizontal cover over back plate and secure with screws
3. Slip end cap over the side of the cover and fasten with screws.



RECOMMENDED SHOWER HEAD HEIGHTS

- See ADA and local plumbing guidelines

Engineer's Approval



1360 Elmwood Avenue, Cranston, RI 02910 USA
 Phone: 401.461.1200 Fax: 401.941.5310
 Email: info@leonardvalve.com
 WEB: <http://www.leonardvalve.com>