

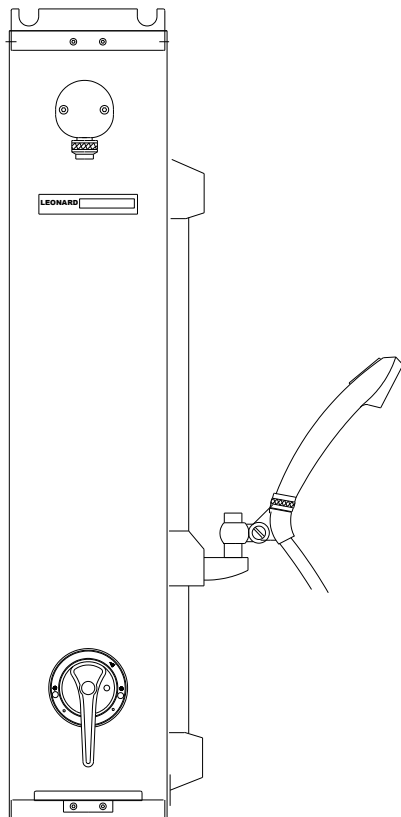
WALL MOUNTED SHOWER SYSTEMS

surfashower®
FOR HANDICAPPED
INSTALLATION



Thermostatic
SS-7600-501P(G) Valve is ASSE 1016 Listed 

__SS-7600-501P(G) Thermostatic Surfashower®



SS-7600-501P(G)

- Copper encapsulated thermostat assembly with brass shuttle, compensates for temperature fluctuations induced by water temperature and pressure changes
- Built-in shutoff for single handle operation
- Integral checkstops
- Cast wall flange and lever handle, polished chrome plated
- Maximum operating pressure: 125 PSI (860 KPA)
- Adjustable high temperature limit stop set for 110°F* (43°C)
- Color-coded dial
- ½" flexible stainless steel hose on inlets
- 501P(G) hand shower, 2.5 GPM (9.5 l/min.) max. flow rate, 69" (1753mm) hose, 24" (610mm) glide bar, double check valve assembly, supply elbow.
- Capacity of 4 GPM (15 L/min)
- Exposed parts chrome plated, vandal resistant
- Maximum supply pressure: 125 PSI (860 KPA)
- Soap dish
- Supply elbow.
- Factory pre-assembled with 18 gauge stainless steel cover, #4 finish, with top and bottom caps.

OPTIONS:

- __LHB - Left side bar
- __QD - Quick disconnect fitting
- __VX - Integral stainless steel extension to ceiling, specify length. See reverse side to calculate VX length.

Leonard Valve Company reserves the right of product or design modifications without notice or obligation.



WARNING: This product can expose you to chemicals including lead, which is known to the State of California to cause cancer. For more information, go to www.P65Warnings.Ca.gov

All Leonard Model 7600 Thermostatic Shower Valves have limitations. Please keep in mind that per the ASSE 1016-2011 Performance Standard, Harmonized along with ASME and CSA, it dictates inlet conditions of equal pressures, 45 PSI on both Hot and Cold Inlets, in addition to a Hot supply temperature range of 140 deg F- 180 deg F. Significant deviations from those conditions stated above will alter performance expectations.

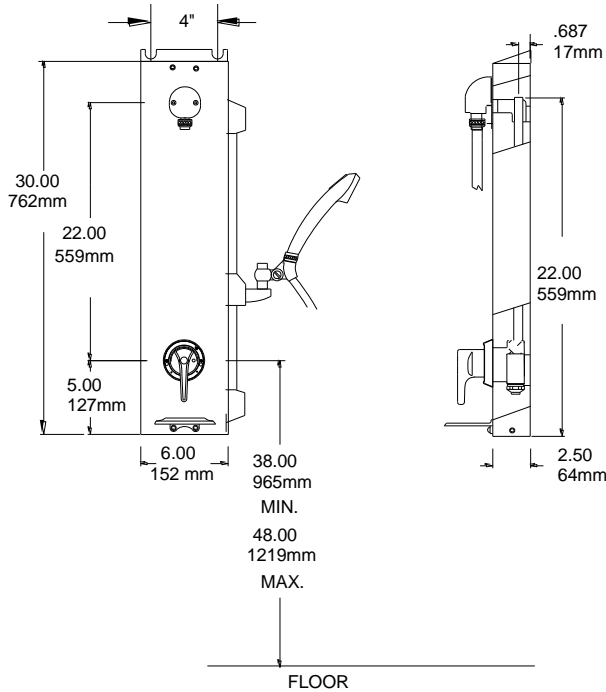
Engineer's Approval	Job # _____
	Arch/Eng. _____
	Contractor _____



1360 Elmwood Avenue, Cranston, RI 02910 USA
Phone: 401.461.1200 Fax: 401.941.5310
Email: info@leonardvalve.com
Web Site: <http://www.leonardvalve.com>

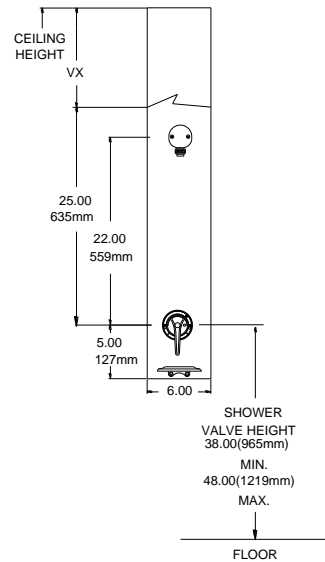
WALL MOUNTED SHOWER SYSTEMS- Surfashower®

Thermostatic Model
SS-7600-501P(G)



SUFFIX VX

VX LENGTH= Ceiling height minus shower Valve height (38" (965mm) AFF min). minus 25" (624mm)



1360 Elmwood Avenue, Cranston, RI 02910 USA

Phone: 401.461.1200 Fax: 401.941.5310

Email: info@leonardvalve.com

Web Site: <http://www.leonardvalve.com>