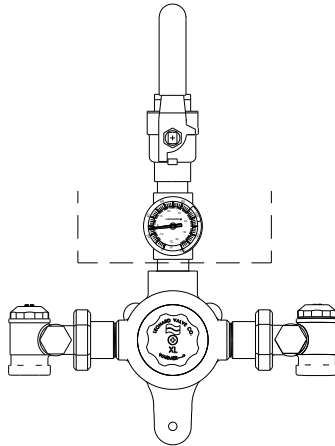


# ECO-MIX™

## HIGH LOW THERMOSTATIC MIXING VALVES

### XL-52-LF-BDT \_\_\_\_\_

1-55 GPM (3.8-208 l/min)

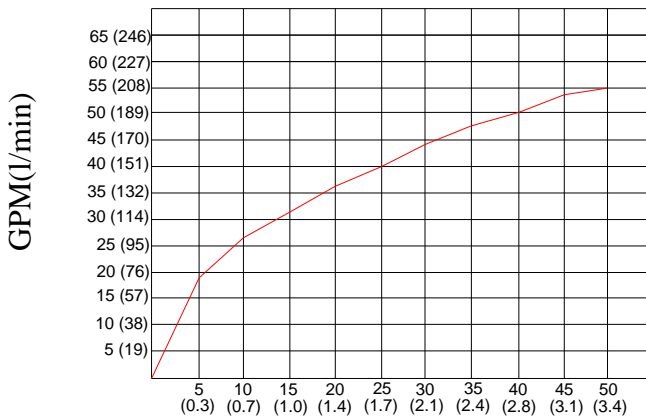


BDT ASSEMBLY IS A COMPONENT ACCESSORY INCLUDED BY FACTORY

- High Low Thermostatic Water Mixing Valve with 1 GPM (3.8 l/min) minimum flow capacity
- 3/4" inlets, 1" outlet (19mm x 25mm)
- Outlet dial thermometer and ball valve
- Integral combination checkstops with strainers and wall support
- 125 PSI (8.6 BAR) maximum operating pressure
- Copper encapsulated thermostatic assembly with polished stainless steel shuttle
- Locking temperature regulating handle\*
- Temperature outlet adjustment range, 90-140°F (32-60°C) \*\*
- Internal parts of stainless steel
- Rough Bronze Finish

		PRESSURE DROP										
MIN+ FLOW	5	10	15	20	25	30	35	40	45	50	PSI	
	0.3	0.7	1	1.4	1.7	2.1	2.4	2.8	3.1	3.4	BAR	
1	18	26	31	36	40	44	47	50	53	55	GPM	
3.8	68	98	117	136	151	167	178	189	201	208	l/min	

### FLOW RATE



### PRESSURE DROP PSI(BAR)

### OPTIONS

- \_\_\_ SUFFIX **IT** Inlet thermometers
- \_\_\_ SUFFIX **LWS** Less wall support
- \_\_\_ SUFFIX **CP** Chrome plated
- \_\_\_ SUFFIX **TC** Test Connection (ship loose)
- \_\_\_ SUFFIX **0** Less Outlet BDT Assembly

NOTE: Leonard Valve Company reserves the right of product or design modification without notice or obligation

ASSE 1017 CERTIFIED 

CSA CERTIFIED 

**This valve is compliant to Low Lead requirements of wetted surface area containing less than 0.25% lead by weight. All other component accessories, the sum total of which comprise the wetted surface of this product, contain less than one quarter of one percent lead by weight.**

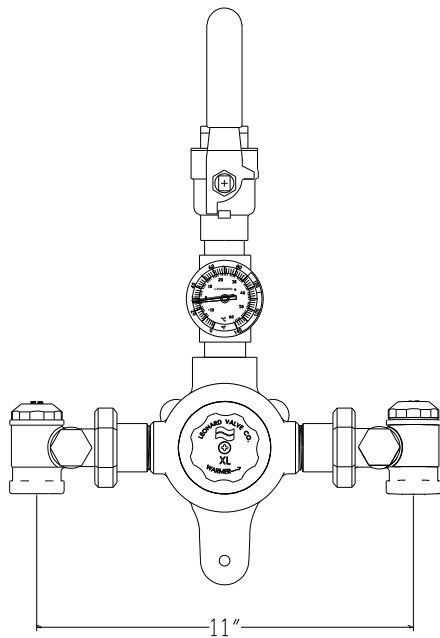


**WARNING:** This product can expose you to chemicals including lead, which is known to the State of California to cause cancer. For more information, go to [www.P65Warnings.Ca.gov](http://www.P65Warnings.Ca.gov)

**\*NOTE:** A locking temperature regulator is simply a mechanical setting to prevent unauthorized temperature set point changes. The valve must be set in the field, the valve may deliver in excess of 120°F and **MUST BE RESET BY THE INSTALLER.**

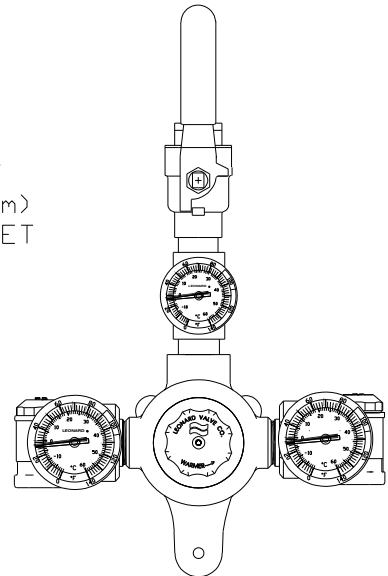
**\*\*NOTE:** For temperatures outside of this valve's stated range, please see our line of bi-metal valves.

**+NOTE:** The valve will maintain temperature with 0.5GPM flow from the domestic hot water loop when properly installed near the hot water source with a continuously operating recirculation pump.



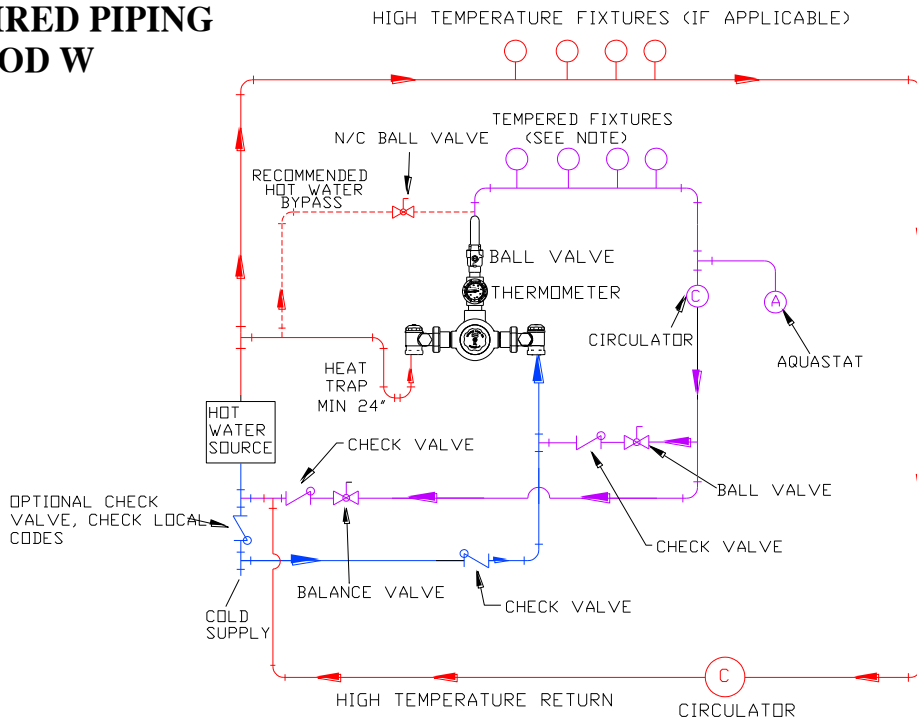
2 1/2"  
(64mm)  
OUTLET

4"  
(102mm)  
INLET



**SUFFIX IT**

**REQUIRED PIPING  
METHOD W**



**CAUTION!** All thermostatic water mixing valves have limitations. They will NOT provide the desired accuracy outside of their flow capacity range. Consult the Flow Capacity Chart and DO NOT OVERSIZE. Minimum flow must be no less than as indicated.



1360 Elmwood Avenue, Cranston, RI 02910 USA

Phone: 401.461.1200 Fax: 401.941.5310

Email: [info@leonardvalve.com](mailto:info@leonardvalve.com)

Web Site: <http://www.leonardvalve.com>