

# BARRIER-FREE EXPOSED SHOWER ADA COMPLIANT

## SS-5710-\_\_\_\_\_

surfashower®



### SS-5710 Barrier-Free ADA Compliant Shower

#### ADA Compliant Exposed Shower System

This system is designed to comply with ADA guidelines on mounting heights, operation and clearances. Unit designed for 72" shower head height, valve mounted left, All piping shall be factory preassembled and tested.

#### Shower Panel

Constructed of 16 gauge stainless steel, #4 finish with recessed soap dish.

#### Shower Valve – PAM-II-ST-F

Leonard PAM®-II Pressure Actuated Shower Mixer including stainless steel pressure balancing piston, bronze body, single lever handle operation, adjustable limit stop, inlet checkstops. Maximum operating pressure 125 PSI

#### Shower Head – H-06

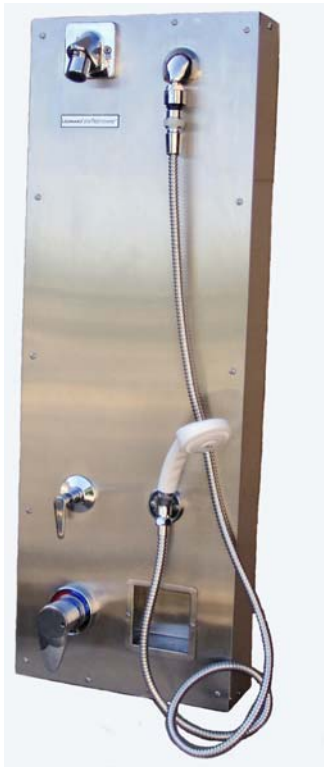
Institutional showerhead, brass construction chrome plated, fixed spray, 2.5 GPM, vandal-resistant.

#### Diverter Valve – D-2L

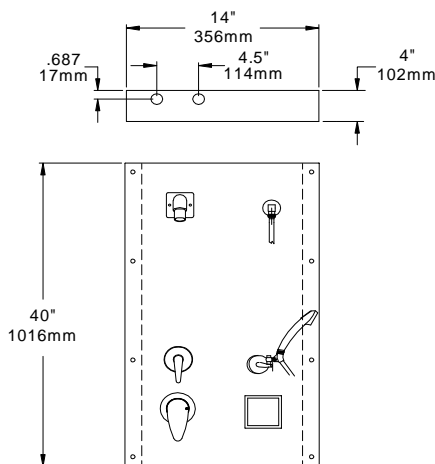
Lever handle operation to allow transfer of water from showerhead to hand-held shower.

#### Hand-Held Shower – 500P

Constructed with a 69" stainless steel flexible hose, 2.5 GPM hand shower, wall hook, double check valve, supply elbow and flange.



**WARNING:** This product can expose you to chemicals including lead, which is known to the State of California to cause cancer. For more information, go to [www.P65Warnings.Ca.gov](http://www.P65Warnings.Ca.gov)



**NOTE: Grab bar and seat are no longer offered and are NOT included in this assembly**

#### OPTIONS:

- \_\_\_REV Reverses all, valve on right, showerhead, diverter, etc.
- \_\_\_7600 Leonard 7600 Thermostatic Showermaster® Valve, ASSE TYPE T listed
- \_\_\_H-06-1.5 H-06 head with 1.5 low flow
- \_\_\_H-15 1.5 GPM low flow Shower head
- \_\_\_QD Quick disconnect on hand shower
- \_\_\_505P Hand Shower, 1.5 GPM, all else same as 500P
- \_\_\_501P(G) Hand Shower, 2.5 GPM, 69" hose, 24" glide bar mounted on right hand side
- \_\_\_515P(G) 1.5 GPM low flow hand shower, all else same as 501P(G)

**\*NOTE:** A limit stop, set for 120°F (49°C), is simply a mechanical setting to prevent excessive handle rotation. If incoming water is hotter than 150°F (65.5°C), the temperature of the factory test, the valve when turned to full HOT may deliver water in excess of 120°F and the limit stop **MUST BE RESET BY THE INSTALLER**

Valve is ASSE 1016 – Type P Certified  
Valve is CSA B.125-16 – Type P Certified



1360 Elmwood Avenue, Cranston, RI 02910 USA  
Phone: 401.461.1200 Fax: 401.941.5310  
Email: [info@leonardvalve.com](mailto:info@leonardvalve.com)  
WEB: <http://www.leonardvalve.com>

Job # \_\_\_\_\_  
Arch/Eng. \_\_\_\_\_  
Contractor \_\_\_\_\_

**Engineer's Approval**