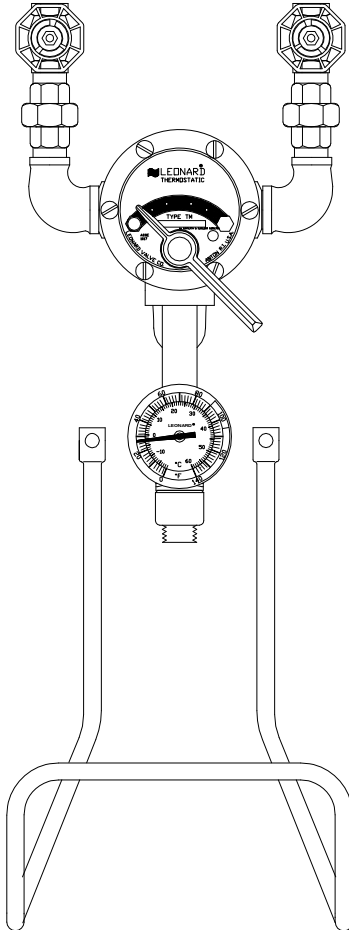


INDUSTRY HOSE STATIONS



IMPORTANT! Not for use with steam and water pressures above 80 PSI (5.5 bar). The prevailing steam (or hot water) pressure must be slightly lower than the cold water pressure.

Not for use with unequal pressures. Install pressure reducing valves where unequal pressure conditions exist.

NOTE: Hose and nozzle not included. If required, please attach separate submittal sheet.

CAUTION: These valves may pass live steam under certain circumstances. A limit stop is simply a mechanical setting to prevent excessive handle rotation. When turned to full HOT valve may deliver water in excess of safe temperatures, therefore the limit stop **MUST BE RESET BY THE INSTALLER**. Protective clothing must be worn at all times.

Note: Leonard Valve Company reserves the right of product, or design modifications without notice or obligation.

THS-25-LF-VBD-CP
THS-25-LF-VB-CP
THS-25-LF-D-CP
THS-25-LF-CP

THERMOSTATIC STEAM & WATER MIXERS

Mix hot & cold water OR steam & water

__ THS-25-LF-VBD-CP

- Thermostatic Steam & Water Mixer
- 3/4" IPS steam (or hot water) inlet
- 3/4" IPS cold water inlet, 3/4" outlet
- Two stop and check valves with color coded heat resistant handles on inlets, (internal parts of stainless steel construction)
- TMS-25 Thermostatic Mixing Valve
- Dura-trol® solid bimetal thermostat directly linked to valve porting
- Color coded scale: Cold to Hot, high temperature limit stop
- Heat resistant temperature adjusting lever
- Integral wall support
- Outlet with dial thermometer (20 to 240°F, -5 to 115°C)
- Vacuum breaker, hose connection
- Maximum operating pressure: 125 PSI (860 KPA)
- Chrome plated finish
- Stainless steel hose rack

__ THS-25-LF-VB-CP

- Less dial thermometer

__ THS-25-LF-D-CP

- Less vacuum breaker

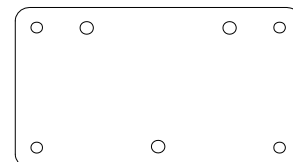
__ THS-25-LF-CP

- Less dial thermometer & less vacuum breaker

OPTIONS:

__ SUFFIX RF - Rough bronze finish (replaces the "CP" in part #)

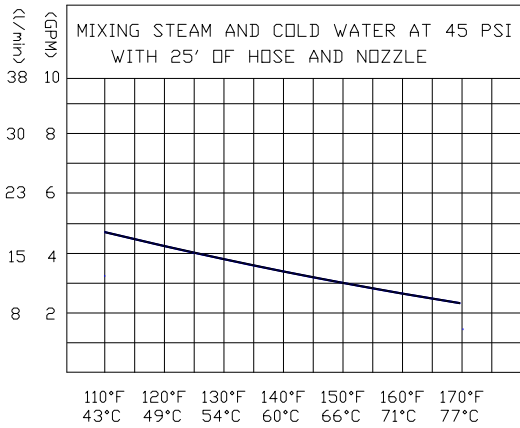
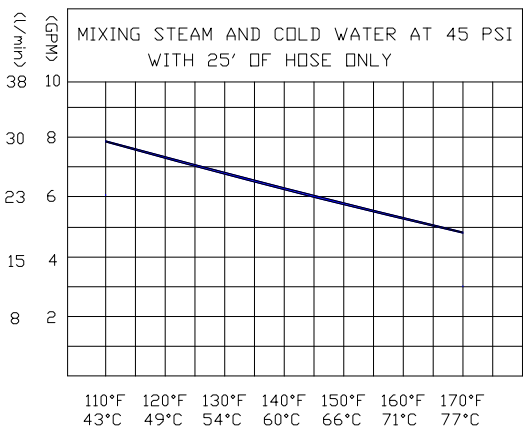
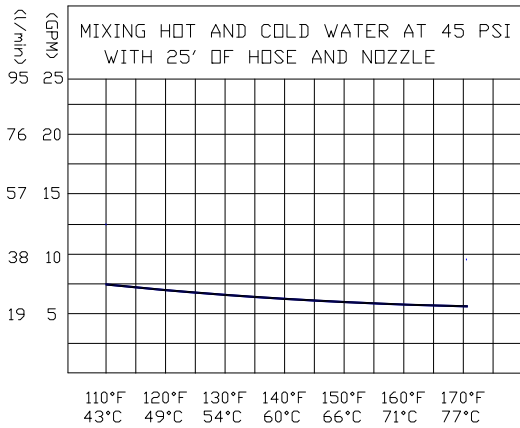
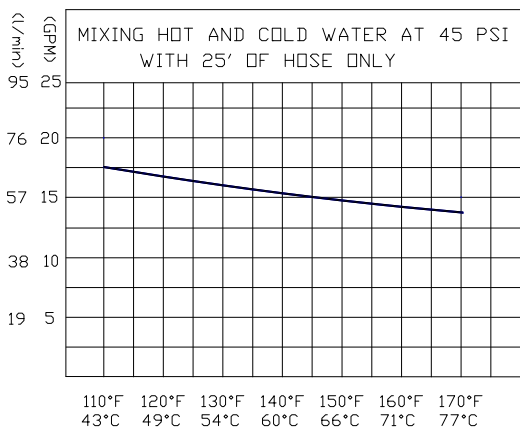
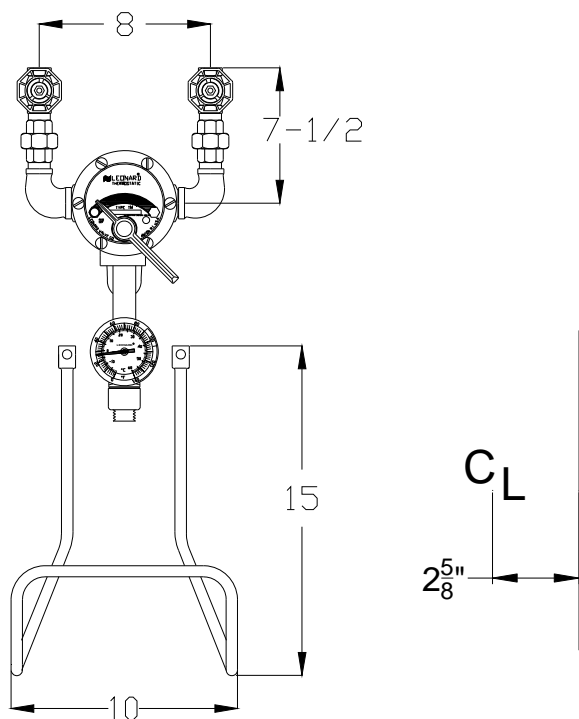
__ SUFFIX 18105 – Mounting plate



WARNING: This product can expose you to chemicals including lead, which is known to the State of California to cause cancer. For more information, go to www.P65Warnings.Ca.gov

This Product is Third Party certified to meet national Low Lead requirements of AB 1953 where wetted surface area is required to be less than 0.25% lead by weight.

THS-25-LF-VBD-CP



Job # _____
 Arch/Eng. _____
 Contractor _____

Engineer's Approval



1360 Elmwood Avenue, Cranston, RI 02910 USA
 Phone: 401.461.1200 Fax: 401.941.5310
 Email: info@leonardvalve.com
 Web Site: <http://www.leonardvalve.com>