

# 170D-LF

**Application:**

The Model 170D-LF is a high performance thermostatic temperature limiting device used to supply a sensor, single or double faucet.


**Features:**


- Certified to ASSE 1070 to control down to 0.25 GPM
- Certified Lead-Free\* construction
- Lead-Free bronze body
- Integral inlet checks and stainless steel screens
- Integral by-pass port, cap supplied if not used
- Vandal resistant locknut to prevent accidental adjustment
- Easy 3/8" tubing or flex hose installation

**Specifications:**

- Minimum flow: 0.25 GPM (0.95 l/Min) Certified to ASSE
- Maximum flow: 4 GPM
- Maximum pressure: 125 PSI (8.6 BAR)
- Maximum hot water temperature: 180°F (82°C)
- Hot water inlet temperature range: 120-180°F (49-82°C)
- Cold water inlet temperature range: 33-80°F (1-27°C)
- Temperature adjustment range: 95-120°F (35-49°C)

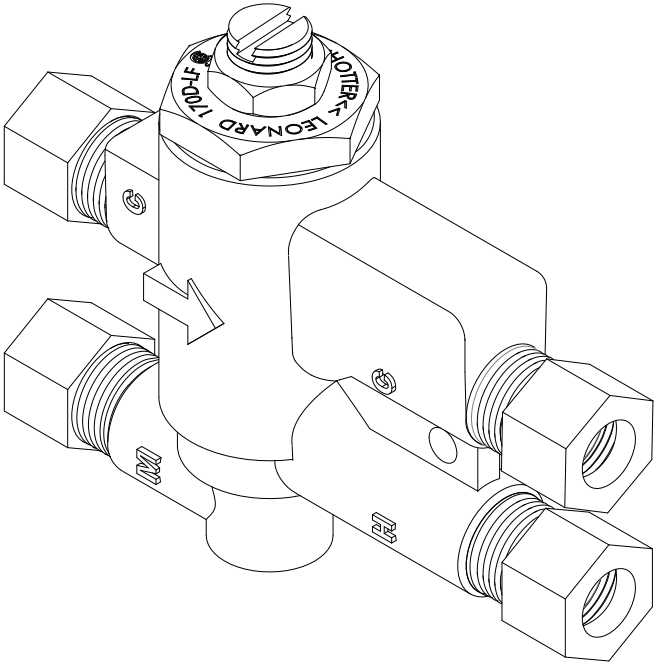
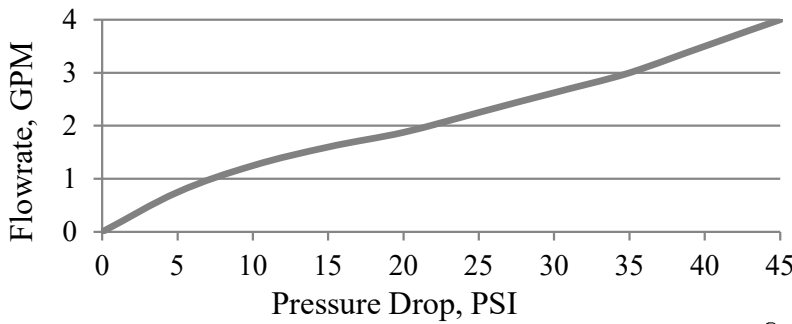
**Certifications:**

ASSE 1070-2015 

CSA B125.70-15 

Certified to NSF61 thru the ASSE 1070 testing process

PRESSURE DROP						
5	10	15	20	30	45	PSI
.35	.70	1.05	1.4	2.1	3.1	BAR
0.75	1.25	1.6	1.88	2.63	4	GPM
2.84	4.73	6.06	7.1	10	15	L/MIN



**Options:**

- \_\_\_ STSTL REC- Stainless steel cabinet, #4 finish, recessed
- \_\_\_ STSTL EXP- Stainless steel cabinet, #4 finish, exposed
- \_\_\_ BWE REC- Steel cabinet, baked white, recessed
- \_\_\_ BWE EXP- Steel cabinet, baked white, exposed
- \_\_\_ BRKT- mounting bracket (shipped loose)  
includes 2 spacers and screws
- \_\_\_ CP- Chrome plated finish



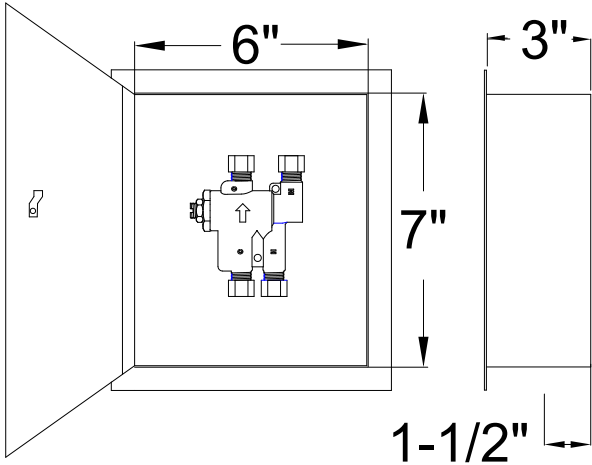
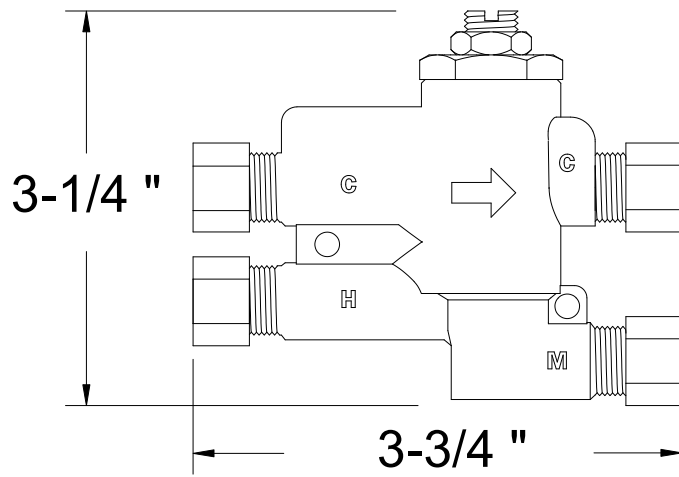
**WARNING:** This product can expose you to chemicals including lead, which is known to the State of California to cause cancer. For more information, go to [www.P65Warnings.Ca.gov](http://www.P65Warnings.Ca.gov)

\* This product is certified to meet Low Lead requirements of wetted surface area containing less than 0.25% lead by weight

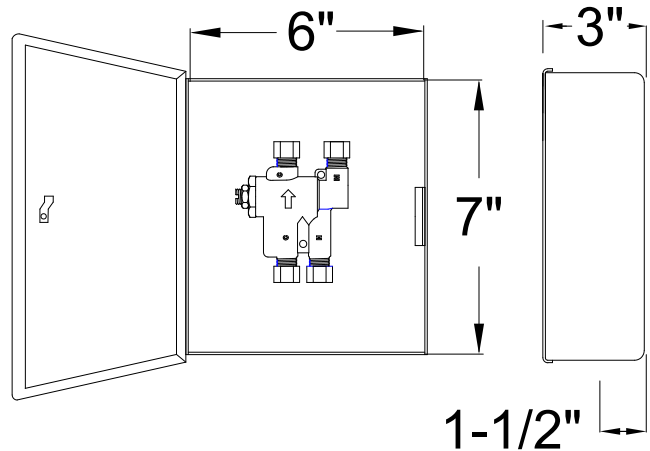
<b>Engineer's Approval</b>	Job # _____
	Arch/Eng. _____
	Contractor _____



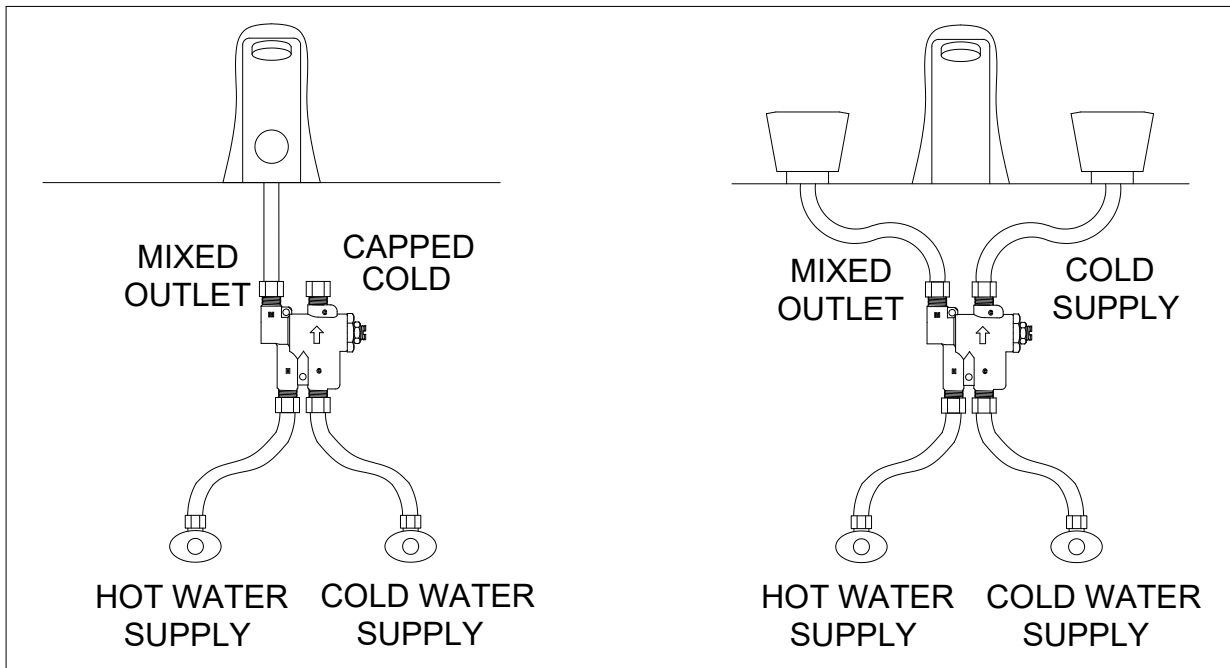
1360 Elmwood Avenue, Cranston, RI 02910 USA  
Phone: 401.461.1200 Fax: 401.941.5310  
Email: [info@leonardvalve.com](mailto:info@leonardvalve.com)  
Web Site: <http://www.leonardvalve.com>



**170D-LF-REC**



**170D-LF-EXP**



Note: Leonard Valve Company reserves the right of product, or design modifications without notice or obligation.

© 2023 Leonard Valve Company  
Printed in USA

1360 Elmwood Avenue, Cranston, RI 02910 USA  
Phone: 401.461.1200 Fax: 401.941.5310  
Email: [info@leonardvalve.com](mailto:info@leonardvalve.com)  
Web Site: <http://www.leonardvalve.com>