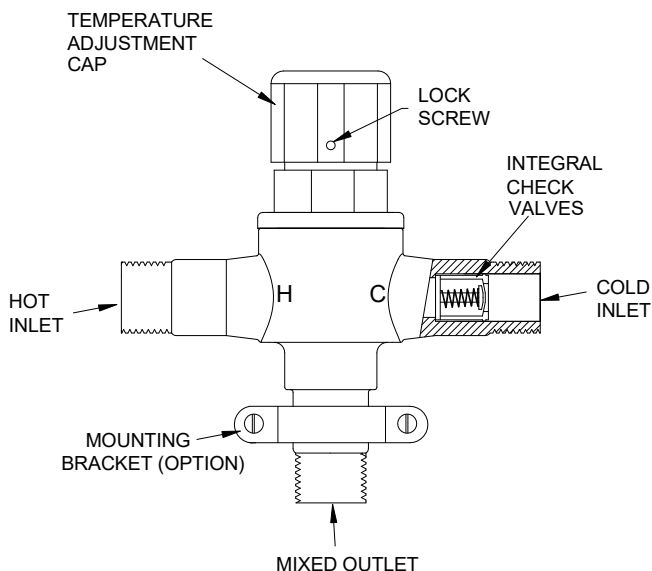
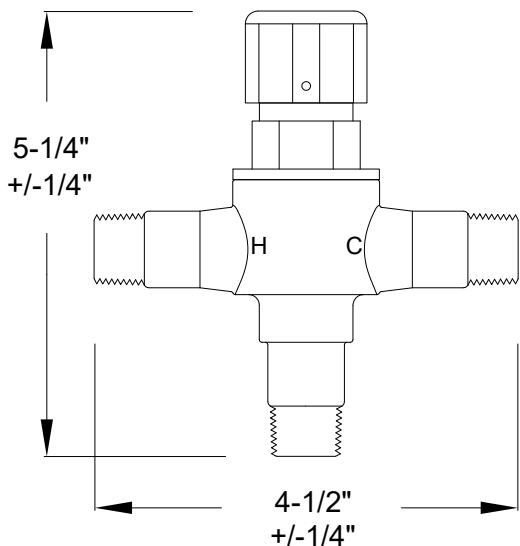


THERMOSTATIC MIXING VALVE

ECO-MIX™

MODEL 270-LF

LEAD FREE THERMOSTATIC POINT OF USE MIXING VALVE
MODEL 1/2" inlets, 1/2" outlet, (NPT Male)



This product is certified to meet Low Lead requirements of wetted surface area containing less than 0.25% lead by weight

Buy American Act
COMPLIANT

BUILD AMERICA BUY AMERICA
COMPLIANT



MATERIALS:

- Lead Free Bronze body
- Locked temperature adjustment cap (vandal resistant)
- Copper encapsulated thermostat assembly with polymer thermoplastic shuttle
- Stainless steel springs
- Integral check valves on hot and cold inlets

PRESSURE-TEMPERATURE:

- Minimum Flow: 0.25 GPM (0.95 l/Min)*
- Maximum Pressure: 125 PSI (8.6 BAR)
- Maximum Hot Water temperature: 200°F- (93°C)
- Approach Temperature 5°F (2.8°C) above set point.
- Temperature adjustment range, 90-140°F (32-60°C) **

OPTIONS:

- SUFFIX BRKT – Mounting Bracket (Shipped Loose)
- SUFFIX BV – Ball Valves, 3 included (Shipped Loose)
- SUFFIX SW – Sweat Connections, 3 included (Shipped Loose)
- SUFFIX CP – Chrome Plated
- SUFFIX DT – Dial Thermometer and Tee (Shipped Loose)
- SUFFIX PEX – F1807 Pex Adapters, union style, 3 included (Shipped Loose)

CABINET OPTIONS – SEE PAGE 2

Certifications:

ASSE 1017, 1070



CSA



CUPC



Meets NSF/ANSI/CAN 61 Requirements

PRESSURE DROP							
5	10	20	30	40	50		PSI
.35	.70	1.4	2.1	2.8	3.4		BAR
3.5	5.5	7.5	9.5	10.5	12		GPM
13	21	28	36	40	45		l/min

****NOTE:** For temperatures outside of this valve's stated range, please see our line of bi-metal valves.

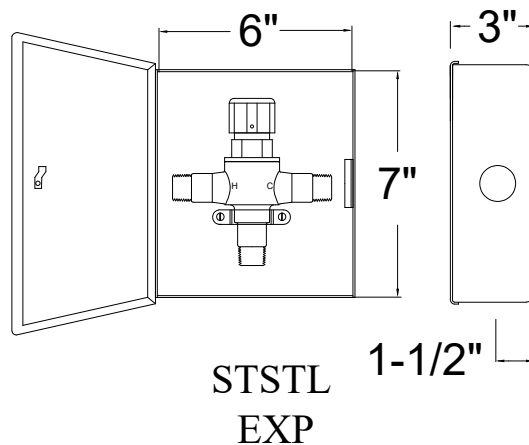
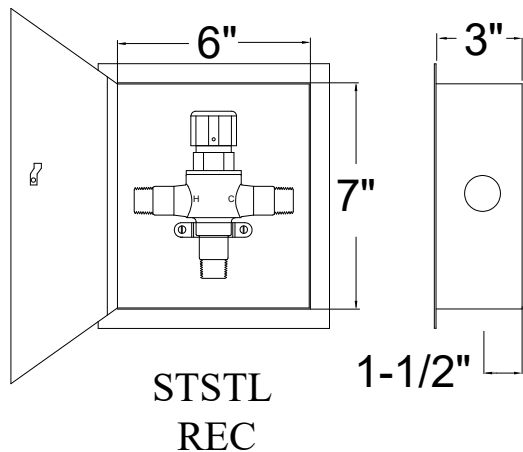
* 0.25 GPM minimum flow certified to ASSE 1070

Engineer's Approval	Job # _____
	Arch/Eng. _____
	Contractor _____



1360 Elmwood Avenue, Cranston, RI 02910 USA
Phone: 401.461.1200 Fax: 401.941.5310
Email: info@leonardvalve.com
Web Site: <http://www.leonardvalve.com>

MODEL 270-LF CABINET OPTIONS



OPTIONS:

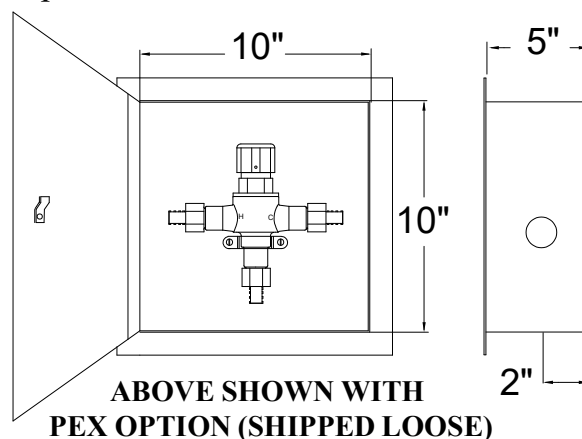
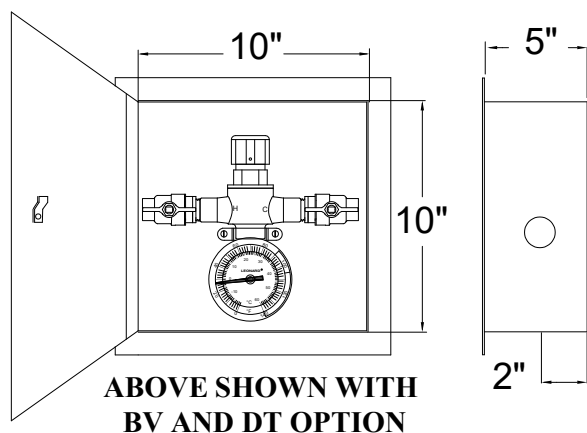
- SUFFIX STSTL REC- Recessed stainless steel cabinet, #4 finish
- SUFFIX STSTL EXP- Exposed stainless steel cabinet, #4 finish
- SUFFIX BWE REC- Recessed baked white cabinet
- SUFFIX BWE EXP- Exposed baked white cabinet
- SUFFIX CP- Chrome plated

NOTE: If NO options below are chosen, cabinet size will be 6"x7"x3", if any option below is chosen the cabinet size will be 10"x10"x5"

- SUFFIX RHH- Right hand hinge
- SUFFIX BV- Inlet ball valves
- SUFFIX SW- Sweat connections (Shipped Loose)
- SUFFIX DT- Dial thermometer ***
- SUFFIX PEX- F1807 Pex Adapters (Shipped Loose)****

*** Cannot be combined with SW option

**** Cannot be combined with CP, BV, SW or DT options



WARNING: Risk of cancer and reproductive harm from exposure to lead – See www.P65Warnings.ca.gov

LEONARD
WATER TEMPERATURE CONTROLS

1360 Elmwood Avenue, Cranston, RI 02910 USA

Phone: 401.461.1200 Fax: 401.941.5310

Email: info@leonardvalve.com

Web Site: <http://www.leonardvalve.com>

Note: Leonard Valve Company reserves the right of product, or design modifications without notice or obligation.